

# MONORAIL SYSTEMS



RAILTECHNIEK VAN HERWIJNEN BV

SPECIALISTS IN OVERHEAD CONVEYORS

**Flowcoat**

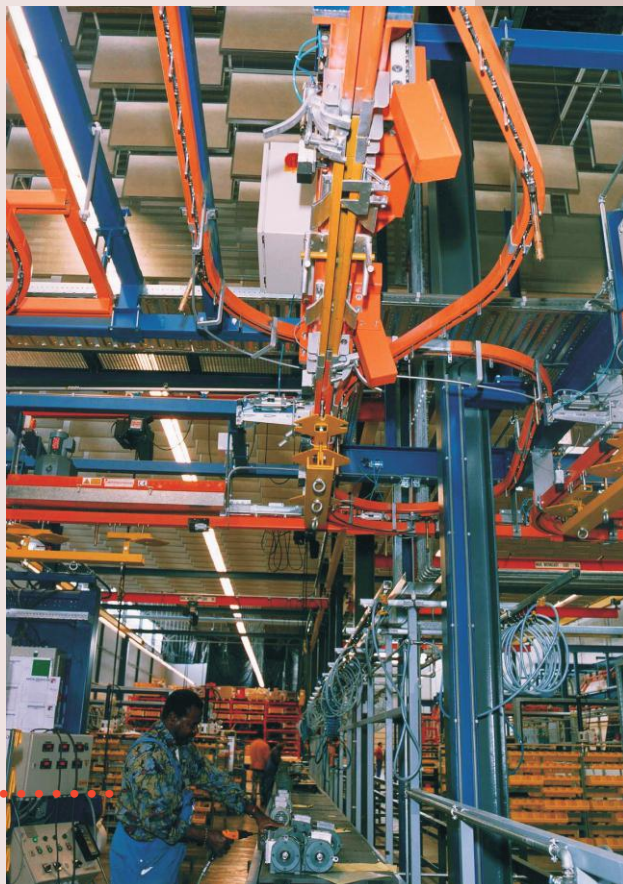


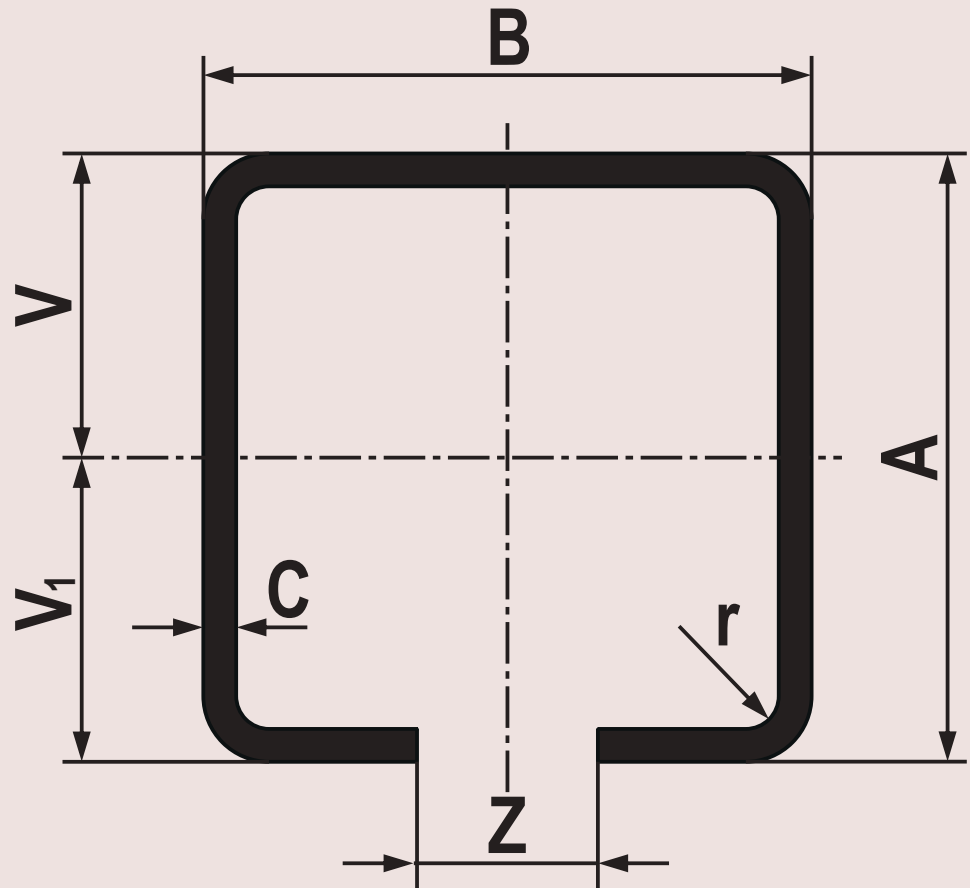
**Bridge Crane**

# INDEX

<i>Track</i>	-----	2
<i>Load Diagram</i>	-----	5
<i>Practical Values</i>	-----	6
<i>Monorail</i>	-----	7
<i>Bends</i>	-----	8
<i>Switches</i>	-----	10
<i>Turntables</i>	-----	17
<i>Switch Combinations</i>	-----	18
<i>Loadbar</i>	-----	20
<i>Brackets</i>	-----	21
<i>Monorail Interrupter</i>	-----	25
<i>Expansion Devices</i>	-----	27
<i>End Caps And Stopper</i>	-----	28
<i>Electric Lift-Lower Device</i>	-----	38
<i>End Lift-Lower Device</i>	-----	42
<i>Coupling Bridge Crane</i>	-----	44
<i>Semi Automated Systems</i>	-----	45
<i>Transfers</i>	-----	46
<i>Bridge Cranes</i>	-----	48
<i>Cable Guidance</i>	-----	49
<i>Our Devisions</i>	-----	50

## Monorail

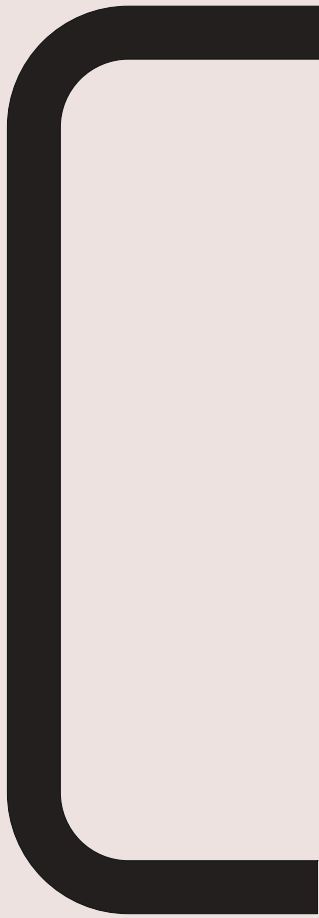




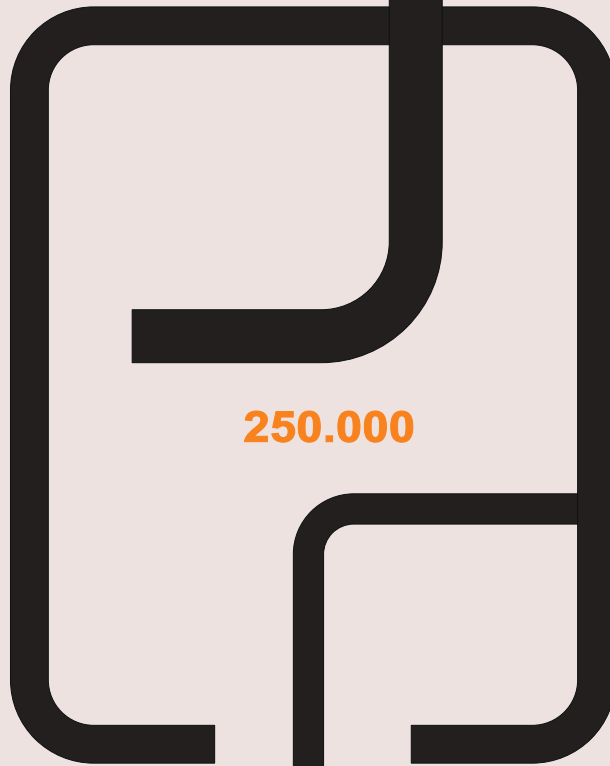
### Type of tracks

	sizes A x B x C mm	weight kg/m	S cm <sup>2</sup>	I <sub>x</sub> cm <sup>4</sup>	V <sub>1</sub> cm	V cm	$\frac{I_x}{V}$ cm <sup>3</sup>	Z mm	r mm
<b>230.000</b>	66 x 62 x 3	4.98	6.38	36	3.60	3.00	10.0	20	4
<b>240.000</b>	74 x 74 x 4	7.67	9.84	72.5	4.01	3.40	18.0	22	4
<b>250.000</b>	100 x 80 x 5	11.55	14.80	186	5.39	4.61	34.5	26	6
<b>260.000</b>	120 x 110 x 7	26.78	20.89	501	5.6	6.4	78	28	9

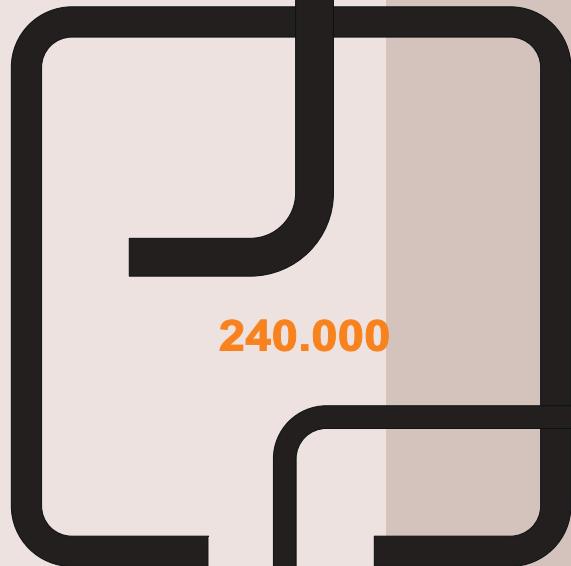
Type of tracks



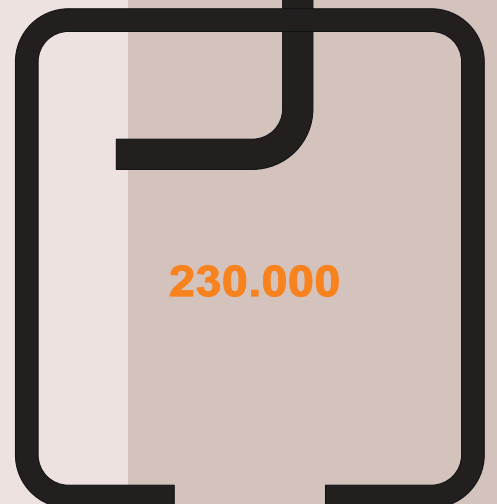
260.000



250.000



240.000



230.000

## Type

The special cold rolled monorail tracks are available in 4 sizes, each is indicated by 6 figures:

230.000, 240.000, 250.000 and 260.000 .

The standard lengths are 6 m. Intermediate lengths are also available. In a monorail project all tracks are cut to the exact dimensions.

## Execution

The tracks can be supplied in three different finishes:

1. The track is painted and not drilled.

In this case the second series of 3 figures is indicated by: ...000...

2. The track is painted, drilled and tapped (at both sides) for a jointing bracket. In this case the second series of 3 figures is indicated by: ...100...

3. The track is painted, drilled and tapped (at both sides) for a connecting piece. In this case the second series of 3 figures is indicated by: ...300...

## Identification

The tracks are indicated by a number of 9 figures.

The first series of 3 figures indicates the track type: 250... ..

The second series of 3 figures indicates the finishing:... 100 ...

The third series of 3 figures indicates the length: ... .. 300

## Example of order

The type of track is 250.000\_\_\_\_\_250\_\_\_\_\_100\_\_\_\_\_300

The track is painted, drilled and tapped for a connection\_\_\_\_\_

The length of the track is 3 m\_\_\_\_\_

## Finish

In the standard execution the tracks are supplied with an orange premium finish coating RAL 9006. The tracks can be supplied in other colours.

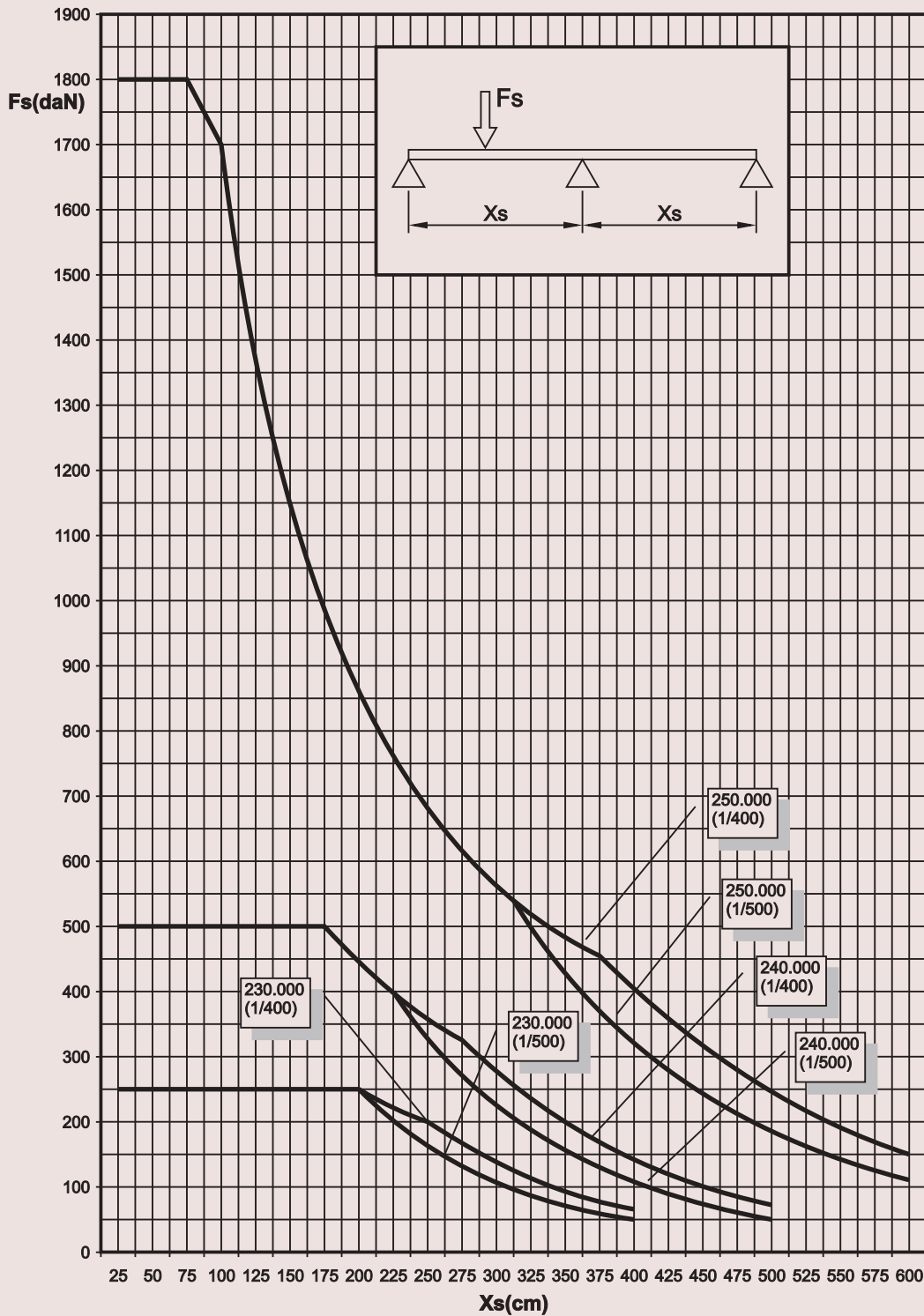
By request the tracks can be supplied galvanized (hot dipped), metallized or with an epoxy coating.

## In Addition

The tracks type 230.000 and 240.000 are also available sendzimir galvanized. In this case the second array of three numbers is indicated by: ...001... .

## Static Loading

Static load  $F_s$  with deflection  $f = 1/400 \times X_s$  or  $f = 1/500 \times X_s$  and a max. deflection stress of  $1000 \text{ kg/cm}^2$ , taking into account the deflection due to the track's own weight.



In the table are some practical values of the maximum carrying capacity F in kg and for the equally divided load Q in kg/m as a function of the distance between brackets Xs in mm.

These values apply for monorail applications.

Distance between brackets = Xs	230.000		240.000		250.000	
	F	Q	F	Q	F	Q
500	–	–	–	–	1800	1800
660	–	–	–	–	1400	1400
750	–	–	–	–	1200	1200
1000	250	250	500	500	1000	1000
1200	210	220	420	440	850	900
1500	160	150	320	300	700	625
2000	100	75	200	150	500	340
2500	65	40	130	80	300	200
3000	40	20	90	40	200	110
3500	25	12	60	25	140	60
4000	15	7	40	15	100	40
4500	–	–	25	8	70	25

### Remark

In general a monorail system is fixed with the brackets to a steelwork consisting of IPE-girders.

While calculating the steelwork, it is very important to respect an  $f_{max}$  according to the application:

$f_{max} < 1/400$  for monorails in single straight tracks

$f_{max} < 1/500$  for monorails in the stock areas of the circuit

Please contact our engineering department for applications with heavy impact loads, or in the case of F or Q > 1000 kg (/m).



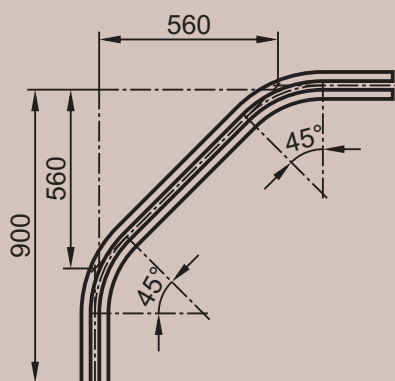
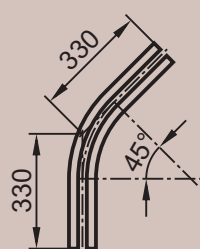
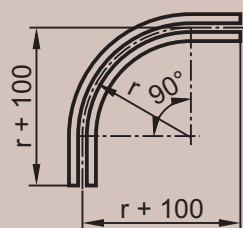
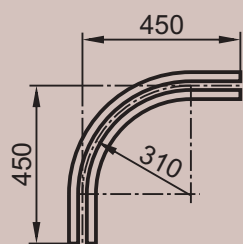


The standard track bends in a monorail system are supplied with a radius from 310 mm up to 1200 mm.

On request the track bends can be manufactured with an other radius.

The standard track bends are provided at both ends with a straight piece of track in order to ensure a perfect joining to the following straight track.

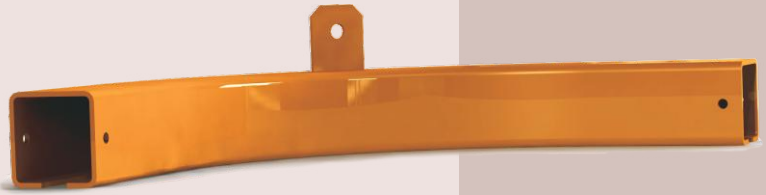
We have various vertical bends available in our program as well.



Angle	Radius in mm	Series <b>230.000</b>	Series <b>240.000</b>	Series <b>250.000</b>	Series <b>260.000</b>
90°	310	230.010	240.010	250.010	260.010
90°	400	230.020	240.020	250.020	260.020
	500	230.030	240.030	250.030	260.030
	600	230.040	240.040	250.040	260.040
	700	230.050	240.050	250.050	260.050
	800	230.060	240.060	250.060	260.060
	900	230.070	240.070	250.070	260.070
	1000	230.080	240.080	250.080	260.080
	1200	230.090	240.090	250.090	260.090
45°	310	230.110	240.110	250.110	260.110
90° lengthened	310	230.150.903.1	240.150.903.1	250.150.903.1	260.150.903.1

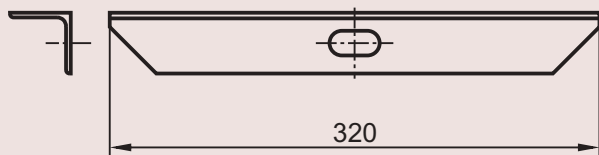
**General**

The track bends with a radius up to and including 600 mm are provided with a vertical and drilled suspension plate. The track curves with a radius larger than 600 mm are fastened with clamps and standard brackets to an I-girder of the support steelwork.



**Suspension Piece Type A**

The suspension piece type A is welded to the support steelwork and is applicable for track curves with a radius up to and including 600 mm.

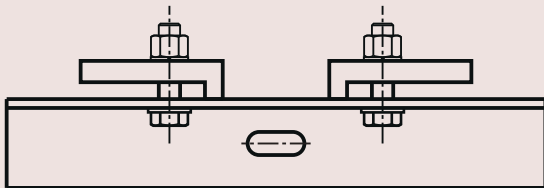


R	Reference
310	250.010.7
400/500/600	250.030.7

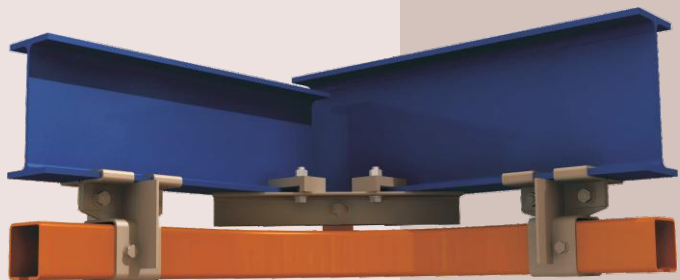


**Suspension Piece Type B**

The suspension piece type B is clamped to support steelwork executed in IPE-girder 120 up to and including IPE 270 and is applicable for track curves with a radius up to and including 600 mm.

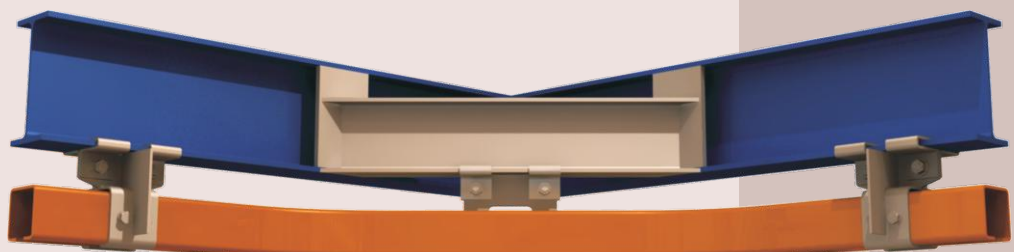


R	Reference
310	250.010.7
500	250.030.7
600	250.040.7



**In Addition**

The lengthened track curves 90° are fastened to an I-girder of the steelwork with 2 pairs of standard clamps.



All switches are fitted with movable, load bearing tongues.  
 The switch mechanism is mechanical and is operated by a chain. For the standard mechanism the pull chain is located at 500 mm from the monorail.  
 On request a lengthened mechanism can be supplied so that the pull chain is suspended further from the track.

#### Executions of the RAILTECHNIEK switches

The switches are schematically indicated in top view. For the standard execution of the 2 way switches the pull chain for the operation of the switch mechanism is suspended to sideways the straight track. On request the pull chain can be suspended sideways to the track curve.

Code:...../002

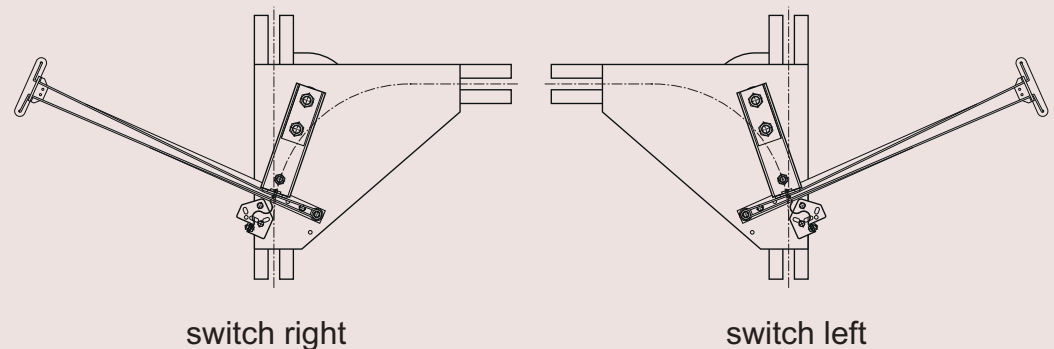
(except for Y-switches)

#### Remark

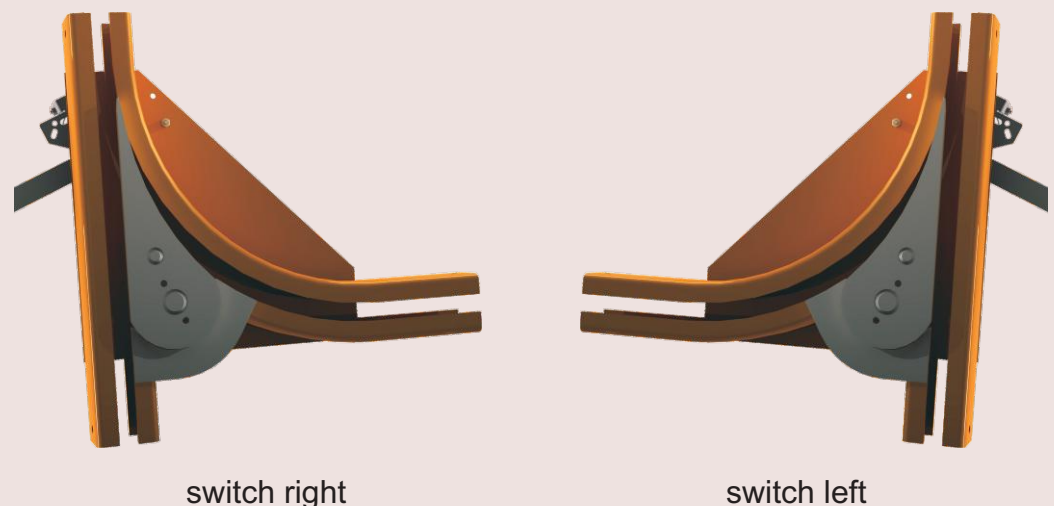
The track switches also can be fitted out with a pneumatic or electrical switching device for farther information please talk to our application engineering department

### Schematic view

#### TOP VIEW

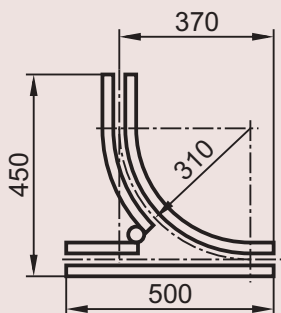


#### BOTTOM VIEW



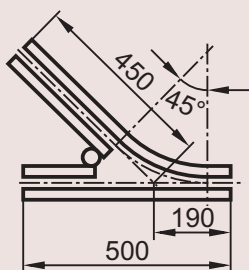
## 2 Way Switches

### 90° switch



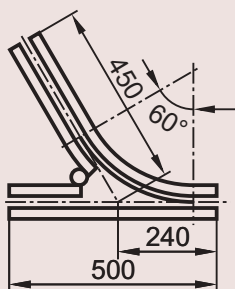
	right	left
	230.511	230.521
	240.511	240.521
	250.511	250.521
	260.511	260.521

### 45° switch



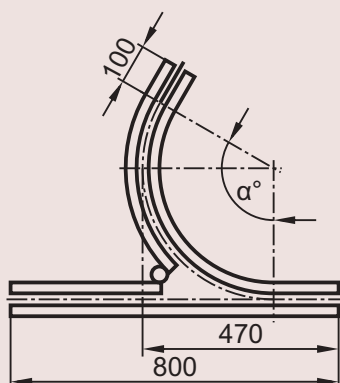
	right	left
	230.531	230.541
	240.531	240.541
	250.531	250.541
	260.531	260.541

### 60° switch



	right	left
	230.551	230.561
	240.551	240.561
	250.551	250.561
	260.551	260.561

### special switch with any curve angle



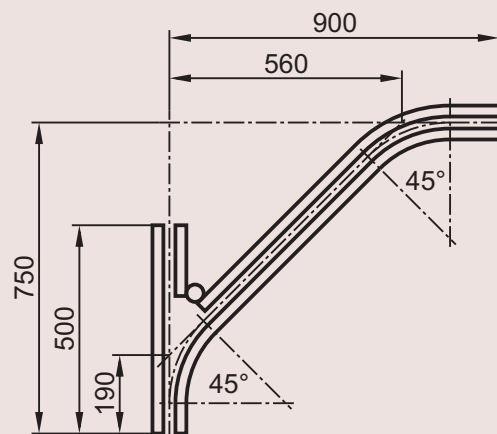
	right	left
	230.511/xxx99	230.521/xxx99
	240.511/xxx99	240.521/xxx99
	250.511/xxx99	250.521/xxx99
	260.511/xxx99	260.521/xxx99

xxx =  $\alpha^\circ$

**Track  
Switches**

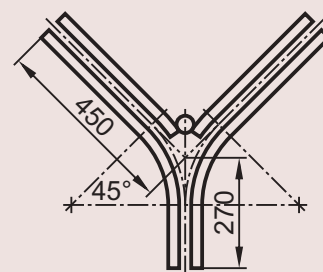
switch with  
lengthened  
curve

right	left
230.571	230.581
240.571	240.581
250.571	250.581
260.571	260.581



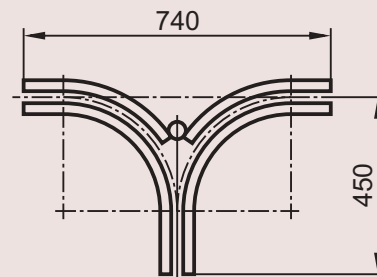
**Y-switch: 2 x 45°**

pull chain right	pull chain left
230.621/002	230.621/001
240.621/002	240.621/001
250.621/002	250.621/001
260.621/002	260.621/001



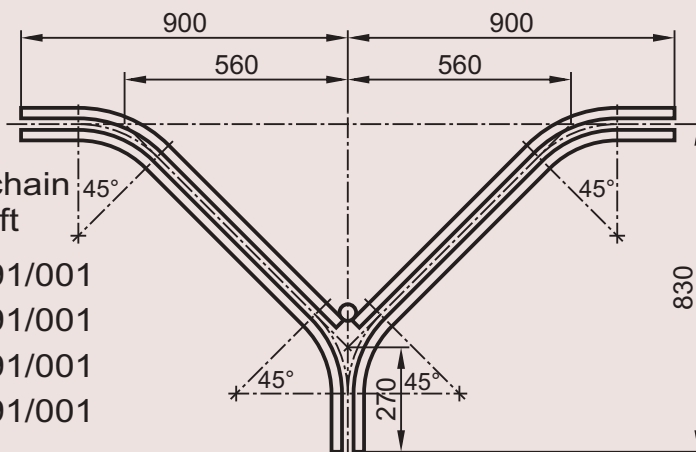
**Y-switch: 2 x 90°**

pull chain right	pull chain left
230.611/002	230.611/001
240.611/002	240.611/001
250.611/002	250.611/001
260.611/002	260.611/001



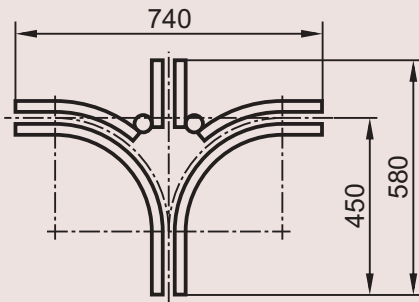
**lengthened  
Y-switch: 2 x 90°**

pull chain right	pull chain left
230.591/002	230.591/001
240.591/002	240.591/001
250.591/002	250.591/001
260.591/002	260.591/001



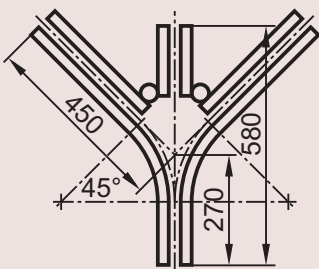
**3 Way  
Switches**

**3 way switch  
2 x 90°**



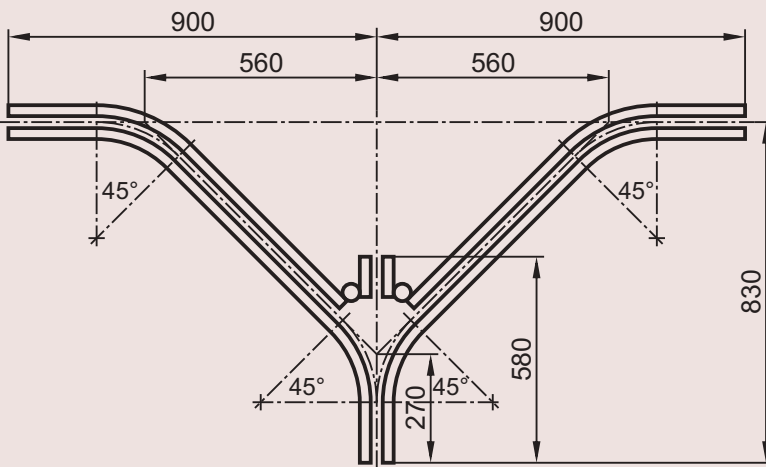
- 230.671
- 240.671
- 250.671
- 260.671

**3 way switch  
2 x 45°**

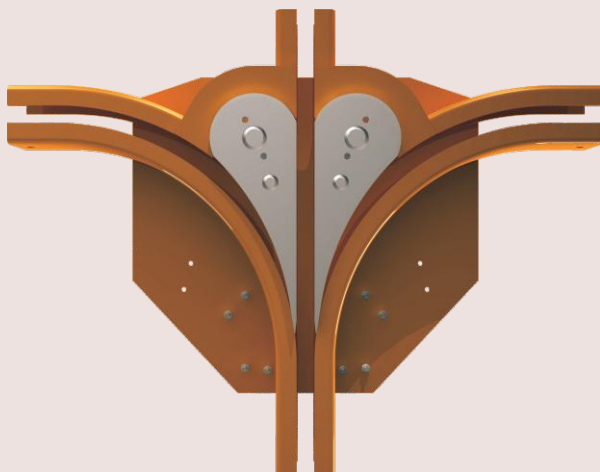


- 230.681
- 240.681
- 250.681
- 260.681

**lengthened 3 way  
switch 2 x 90°**



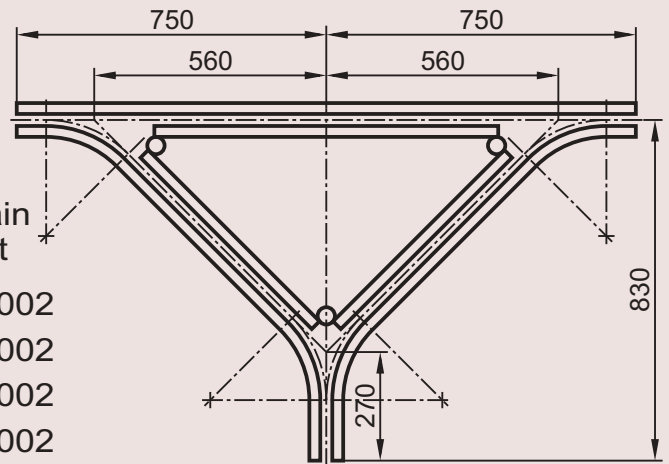
- 230.791
- 240.791
- 250.791
- 260.791



**Composed  
T-Switches**

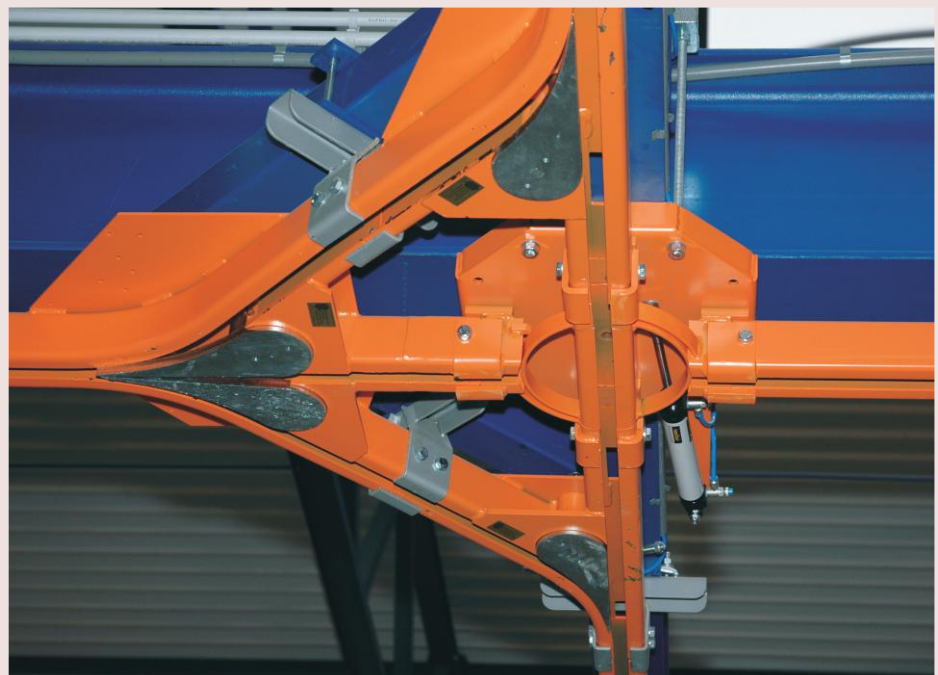
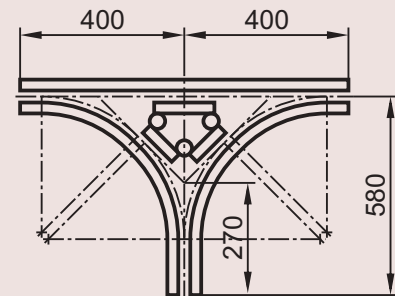
**Composed  
T-switches  
(standard execution)**

pull chain "Y" right	pull chain "Y" left
230.691/002	230.691/002
240.691/002	240.691/002
250.691/002	250.691/002
260.691/002	260.691/002



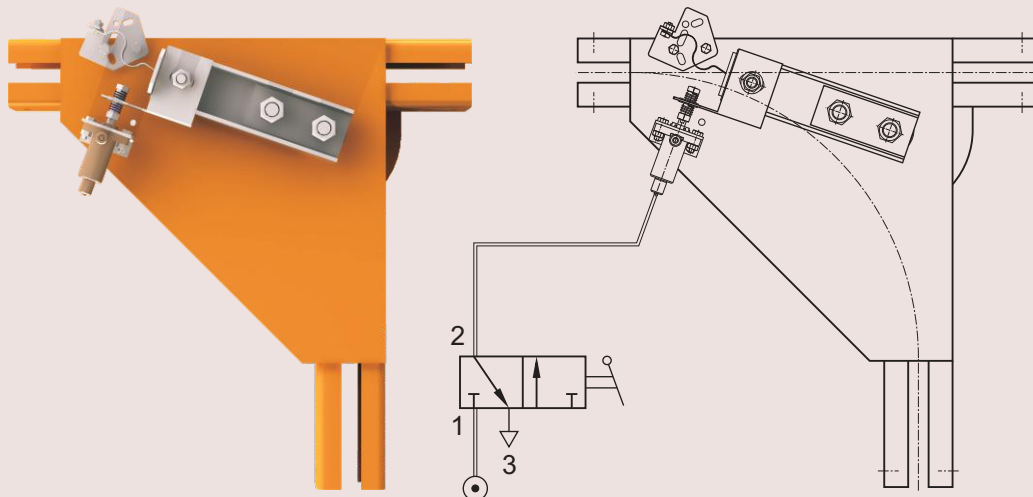
**Composed  
T-switches  
(shortened execution)**

pull chain "Y" right	pull chain "Y" left
230.781/002	230.781/002
240.781/002	240.781/002
250.781/002	250.781/002
260.781/002	260.781/002





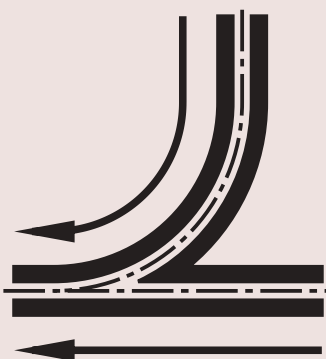
**Pneumatically Operated Switches**  
(... .../009)



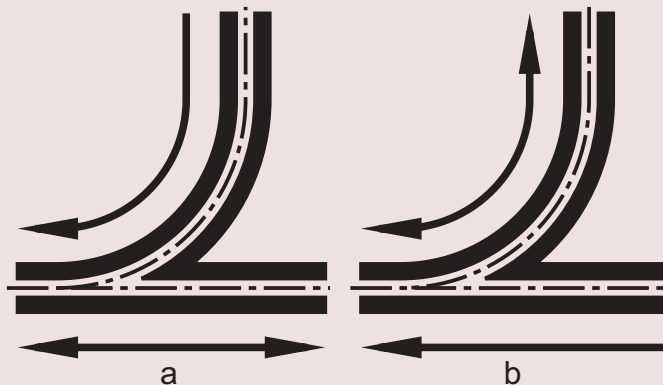
**Special Switch Operations**

The pull mechanism of these 2 way switches is replaced by a specially adapted mechanism. As the trolley itself operates the switch, this kind of switches does not need the operator intervention.

**Switch without operation** (... .../003)



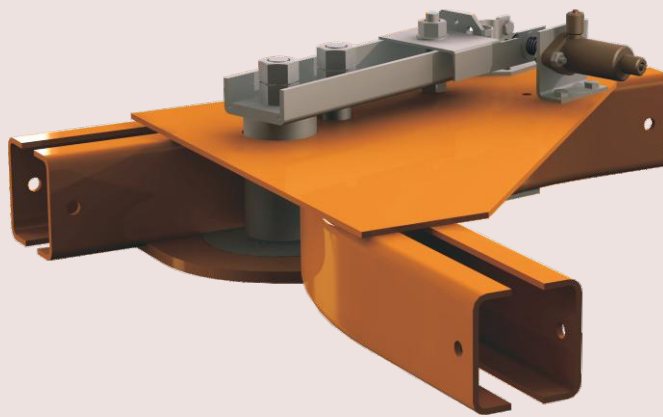
**Spring operated switch** (... .../007)



Is used when the load is always transferred in the direction of the indicated arrows (see figure)  
Codification ...003  
E.g. 250.520/003

The load carrying direction tongue of this two way switch is held in a predetermined position by a spring mechanism. The spring mechanism is easy to reverse which makes it possible to choose between the running a or b (see figure)  
Code .../007 Ex. 250.520/007

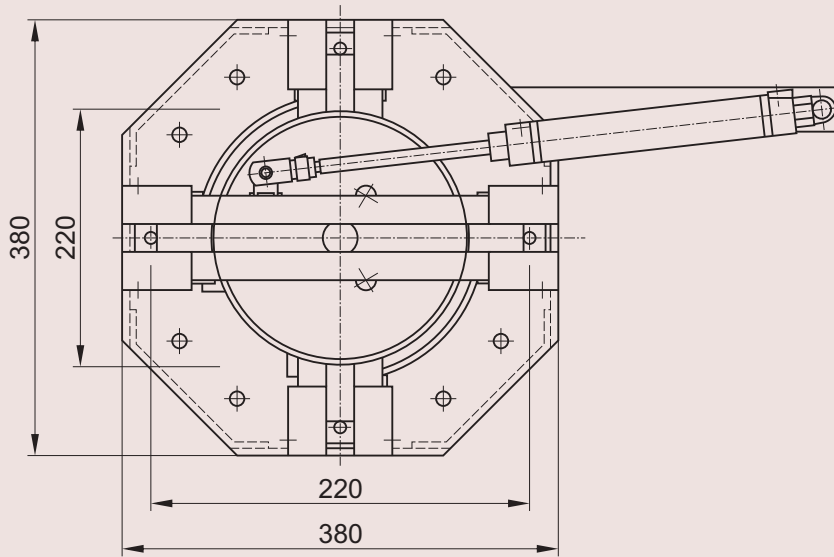
Switch  
Combinations



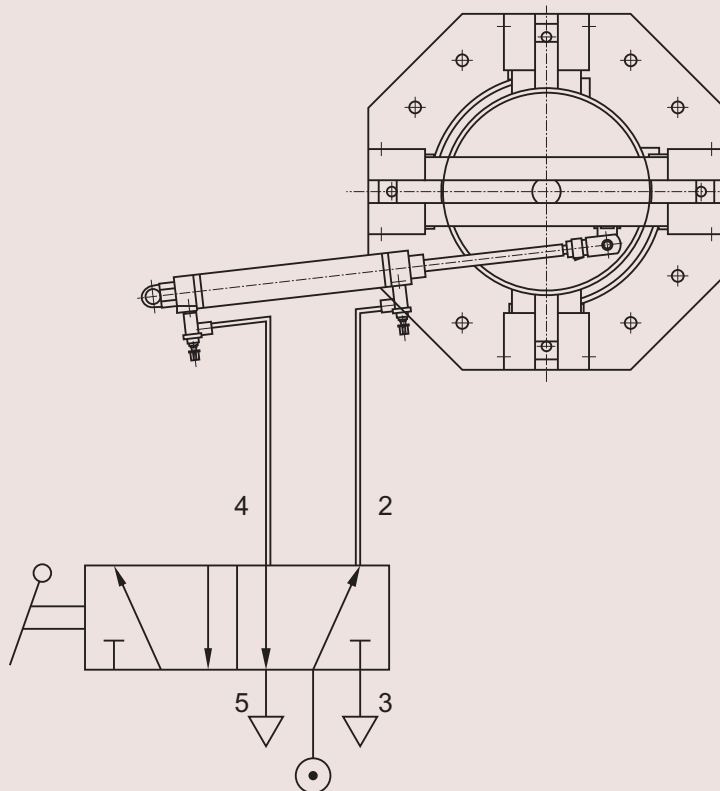
## Turntable

The operation of a turntable can be either pneumatic or electric  
(Please contact our engineering department for the latter case).

The turntable can only be operated without a trolley in the turntable.

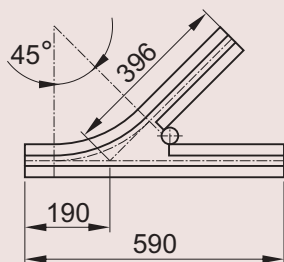
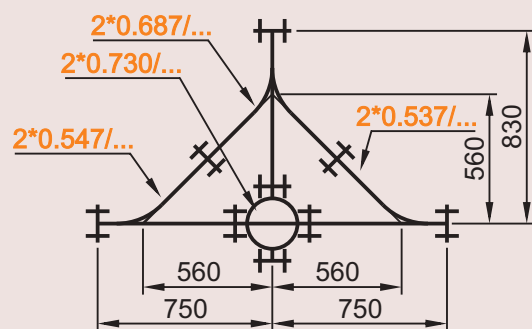
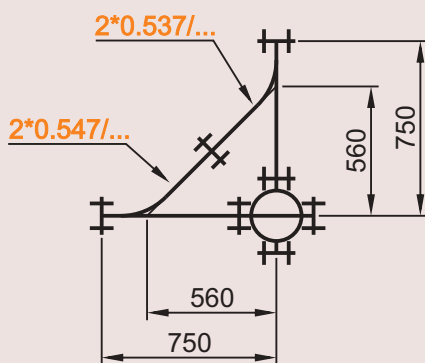
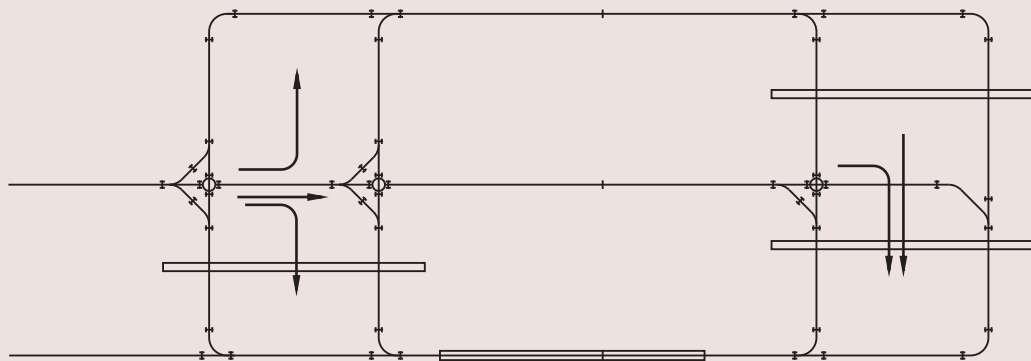


230.730  
240.730  
250.730

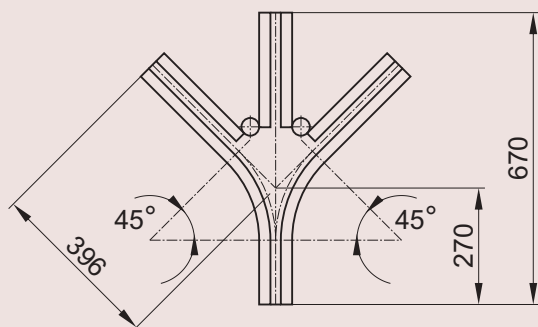


Switch/Turntable  
Combination

A turntable is commonly used in combination with switches. In order to ease the mounting of these combinations, the use of the switches as follows on is strongly recommended, because of their specially adapted overall dimensions.



$2 \times 0.537$  right  
 $2 \times 0.547$  left



$2 \times 0.687$

## Track switch operating devices

Description of the switches with standard overall dimensions	code
- Y-switch - pull chain at the left	... .. /001
- Switch with pull chain sideways to the track curve	... .. /002
- Y-switch with pull chain at the right	... .. /002
- Switch without operation	... .. /003
- Automatic switch for 2-wheeled trolley	... .. /004
- Switch with lengthened pull chain	... .. /005
- Y-switch with lengthened pull chain at the left	... .. /005
- Switch with lengthened pull chain sideways to the track curve	... .. /006
- Y-switch with lengthened pull chain at the right	... .. /006
- Spring operated switch	... .. /007
- Pneumatically operated switch	... .. /009
- Automatic switch for 4-wheeled trolley	... .. /024
- Automatic pneumatically operated switch	... .. /094

Description of the switches with adapted overall dimensions	code
- 2 way switch 45° right	2*0 733
- 2 way switch 45° left	2*0 734
- 3 way switch	2*0 738

## 3 Way Switch With Special Switch Operating Device

This 3 way switch is composed of a combination of switches with different functions.  
e.g. A 3 way switch may be composed of a switch without operation and of a second one spring operated.

As this 3 way switch is composed of two separate working switches the function is indicated with a identification number of 5 figures which follows the order number of the switch.

The first three figures of the codification refer to the mechanism of the right switch and the last two figures of the identification number refer to the mechanism of the left switch.

The reference is for instance : 250.607/00307

This is a 3 way switch 2 x 90° of which the switch without operation is the right one and the

## Switches With Lengthened Pull Chain

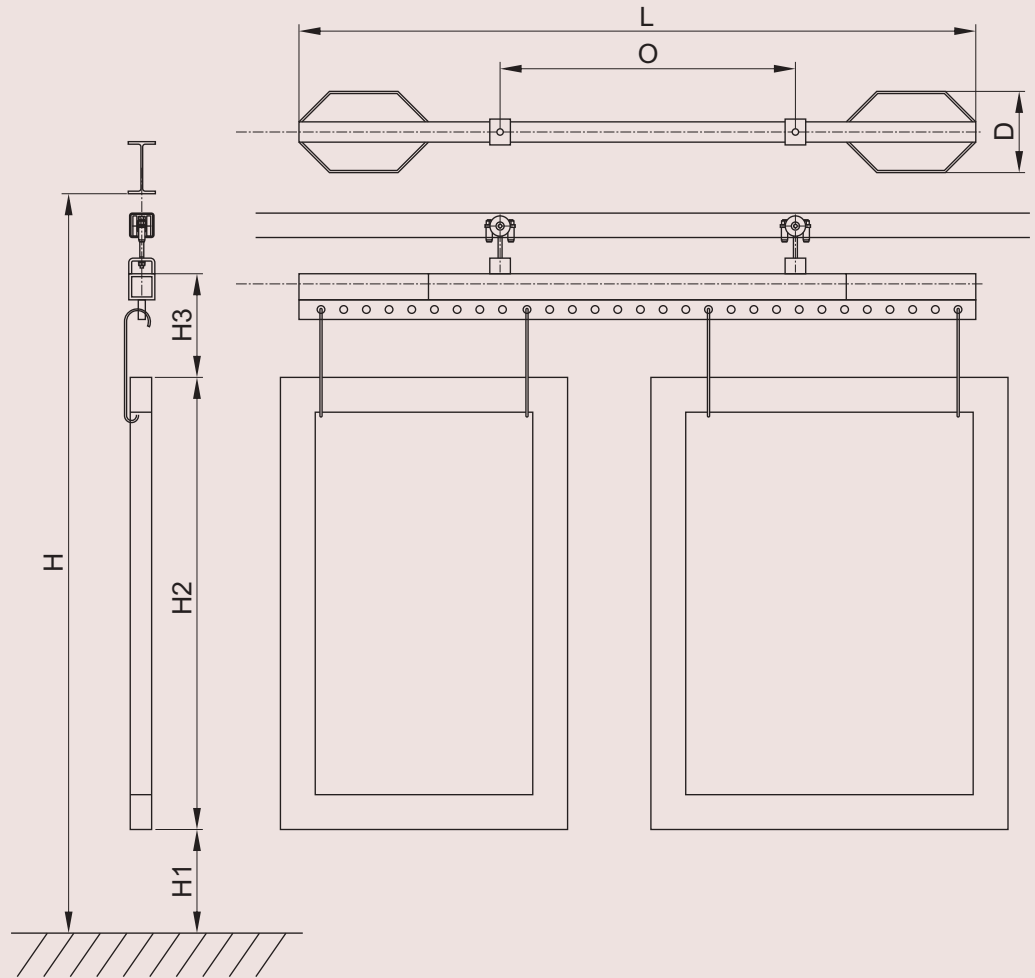
The switches are fitted out with a lengthened pull chain in case of transport of large loads.

In this execution the pull chain is suspended at 1 m from the monorail.

Identification number:

- e.g.:
- Standard switch - with lengthened pull chain: 240.510.005
  - Y-switch - with lengthened pull chain left: 240.620.005
  - Y-switch - with lengthened pull chain right: 240.620.006

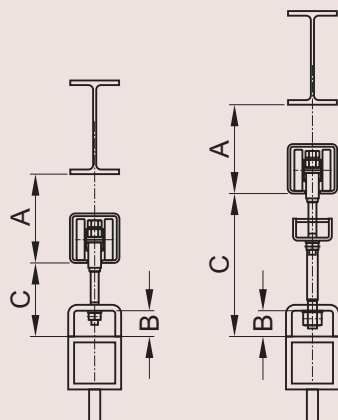
The use of loadbars allows the transport of several products together. A loadbar consists of a flightbar with a buffer on both sides. The single or double trolleys are mounted on fixings that are welded on the crossbar at a distance equal to the parallel track width in the monorail circuit. These fixings ensure that **pendant** connections between the trolleys and the loadbar are kept constant, in order to avoid excessive wearing of the curves and the track switches.



Trolley

Single Trolley

Double Trolley



	trolley	A	B	C
230.000	234.010.001	126	50	113
	234.040.001			213
240.000	244.010.001	134	50	114.5
	244.040.001			213
250.000	254.010.001	160	50	143
	254.040.001			215

2.4.010.001

2.4.040.001

## Instructions for use

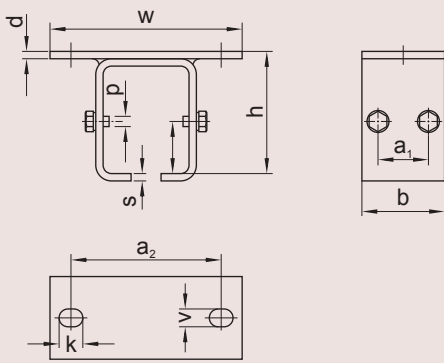
The brackets are subdivided in to standard and joining brackets.

A standard bracket is used as suspension point for the track.

A joining bracket is used as suspension point where two tracks are joined.

A monorail installation can be mounted directly to a ceiling (subject to the ceiling strong enough) or to a horizontal mounting face.

If switches are applied in an overhead runway a headroom of 60 mm should be provided.



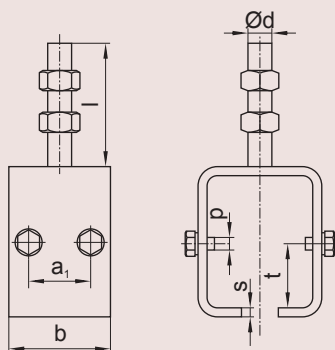
2\*1.230

standard bracket	jointing bracket	w	h	a <sub>1</sub>	a <sub>2</sub>	b	s	t	v	k	p	d
231.230	231.240	142	82	35	108	60	6	33	Ø13	-	M8	6
241.230	241.240	160	94	34	124	60	8	37	Ø14	-	M10	8
251.230	251.240	185	119	50	145	80	8	50	17	22	M10	8

Finish: painted

## Ceiling Mounted Bracket

## Brackets on Threaded Rod

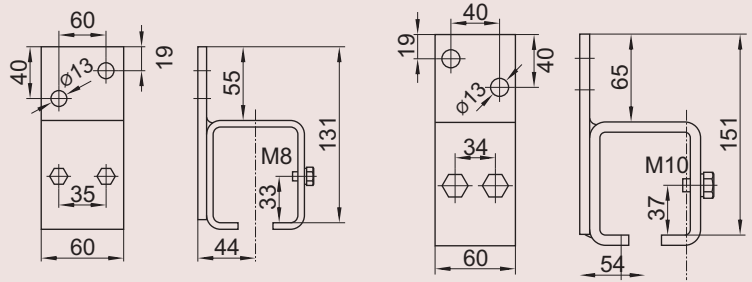
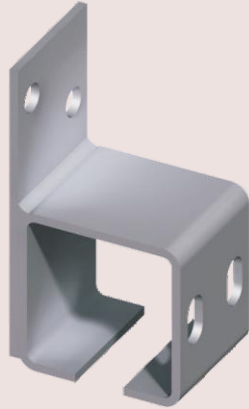


2\*1.340

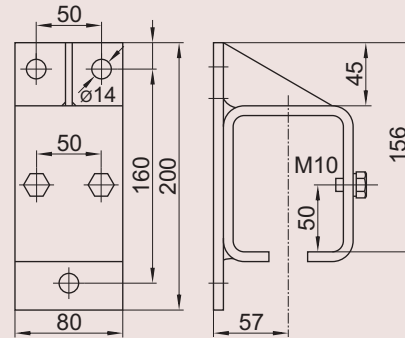
standard bracket	jointing bracket	Ød	l	b	s	a <sub>1</sub>	t	p
231.310	231.340	M12	72	60	6	35	33	M8
241.310	241.340	M16	75	60	8	34	37	M10
251.310	251.340	M20	95	80	8	50	50	M10

Finish: electro galvanized

Wall Fixing Bracket



- \* standard bracket: 231.130
- \*\* jointing bracket: 231.140
- \* 241.130
- \*\* 241.140



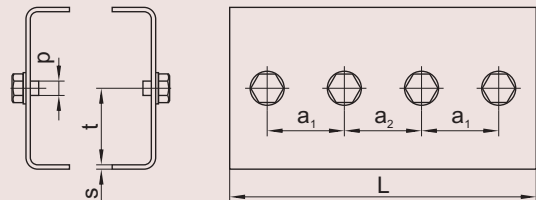
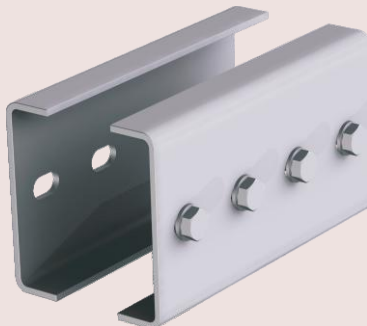
2\*1.130  
Finishing: painted

- \* 251.130
- \*\* 251.140

Jointing Piece

A jointing piece is used if there is no suspension point and if two track ends are to be linked.

The jointing piece should be placed as close as possible to a bracket.



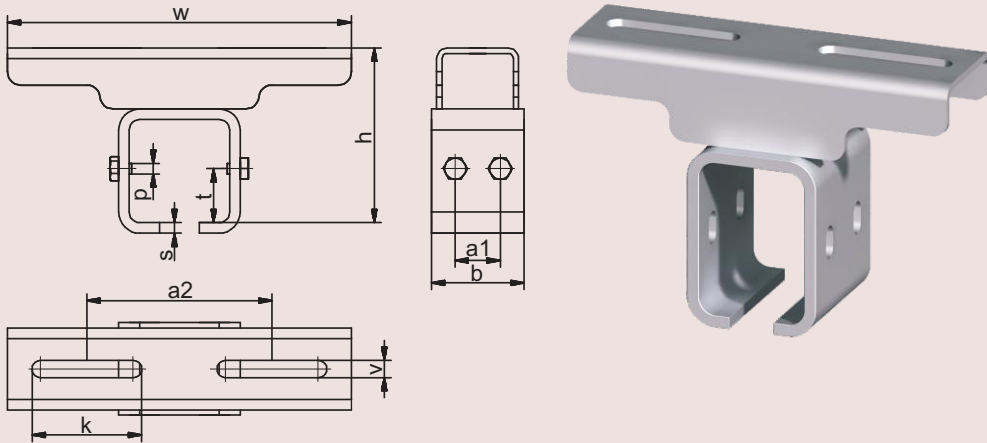
standard execution	execution for switch	L	a <sub>1</sub>	a <sub>2</sub>	t	s	P
231.910	231.990	160	35	35	33	3	M8
241.910	241.990	160	35	35	37	3	M10
251.910	251.990	200	50	50	50	4	M10

Finishing: electro galvanised



A monorail installation can be mounted directly to a ceiling (subject to the ceiling strong enough) or to a horizontal mounting face.  
If switches are applied in an overhead runway a headroom of 60 mm should be provided.

**Universal Mounted Bracket**

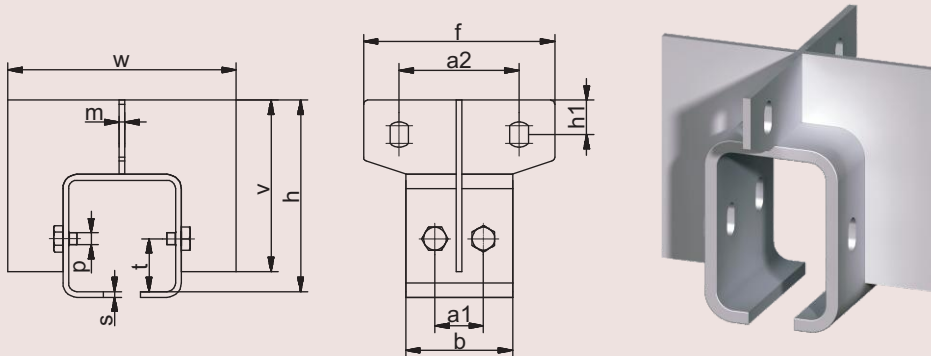


standard bracket	jointing bracket	w	h	a <sub>1</sub>	a <sub>2</sub>	b	s	t	v	k	p
RT-36053	RT-36054	142	82	35	108	60	6	33	13	--	M10
RT-32678	RT-32675	260	134	35	140	70	8	37	13	84	M10
RT-36685	RT-36682	260	160	50	145	100	8	50	17	91	M10

Finishing: painted

A monorail can be mounted under an I-girder in a longitudinal direction. On request heightened brackets can be supplied. In this case the measure "h" should be mentioned.

**Bracket for parallel fixing**

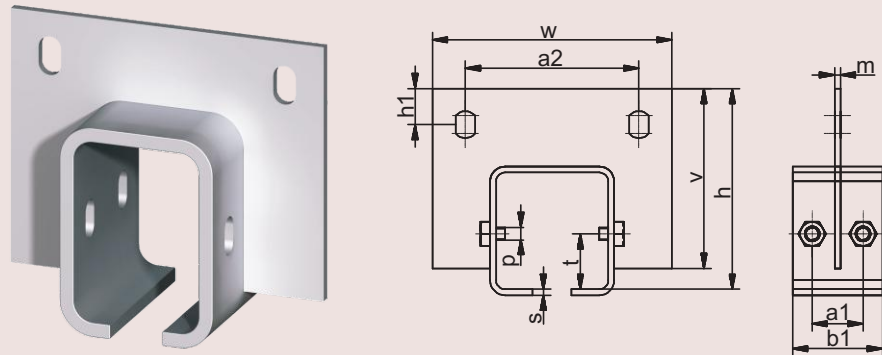


standard bracket	jointing bracket	w	h	m	v	f	t	s	a <sub>1</sub>	a <sub>2</sub>	b	p	h <sub>1</sub>
231.750	231.760	150	126	4	120	134	33	4	35	84	65	M8	24
241.750	241.760	160	134	4	120	134	37	4	34	84	75	M10	24
251.750	251.760	180	160	5	140	185	50	5	50	124	100	M10	26

Finishing: painted

**Bracket for cross fixing**

This bracket enables a mounting of the monorail under an I-girder in a diagonal direction. On request heightened brackets can be supplied. In this case the measure "h" should be mentioned.

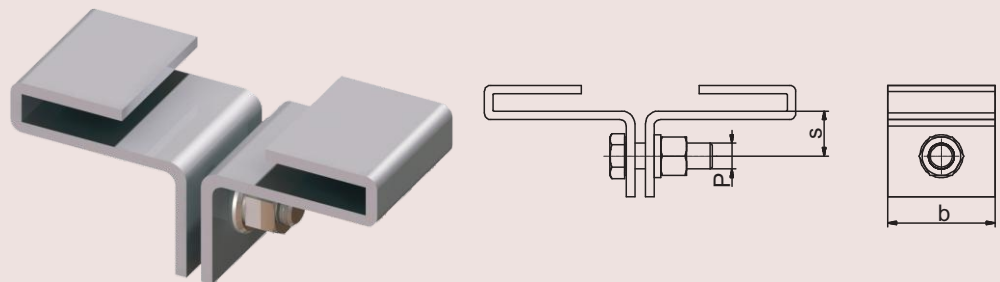


standard bracket	jointing bracket	w	h	m	v	a <sub>1</sub>	a <sub>2</sub>	b	t	s	p	h <sub>1</sub>
231.710	231.720	150	126	4	120	35	106	65	33	4	M8	24
241.710	241.720	160	134	4	120	34	116	75	37	4	M10	24
251.710	251.720	180	160	5	140	50	135	100	50	5	M10	26

Finishing: painted

**Clips for I-Girder 240.000**

Clips for parallel or cross fixing are used to mount a monorail directly under an I-girder. Two clips, fitted to the lowest width of the flange, have to be provided for each bracket.



Clip for IPE-girder			
Track	s	b	P
230.000	21	40	M12
240.000	21	50	M12
250.000	21	60	M14

IPE	231.850/10	241.850/10	251.850/10
100	231.850/10	241.850/10	251.850/10
120	231.850/12	241.850/12	251.850/12
140	231.850/14	241.850/14	251.850/14
160	231.850/16	241.850/16	251.850/16
180	241.850/18	241.850/18	251.850/18
200	241.850/20	241.850/20	251.850/20
220	241.850/22	241.850/22	251.850/22
240	241.850/24	241.850/24	251.850/24
270	241.850/27	241.850/27	251.850/27

Finishing: electro galvanised

The interruption of a monorail is often necessary in the case of fire proof doors, sliding doors for ovens, locking devices for unloading areas, roller shutters, guillotine doors, etc.

The built-in security guarantees that the monorail interrupter cannot open in the instance where a trolley is inside the unit.

A left or a right turning operation is available.

**Execution**

Mechanical or pneumatic operation is available.

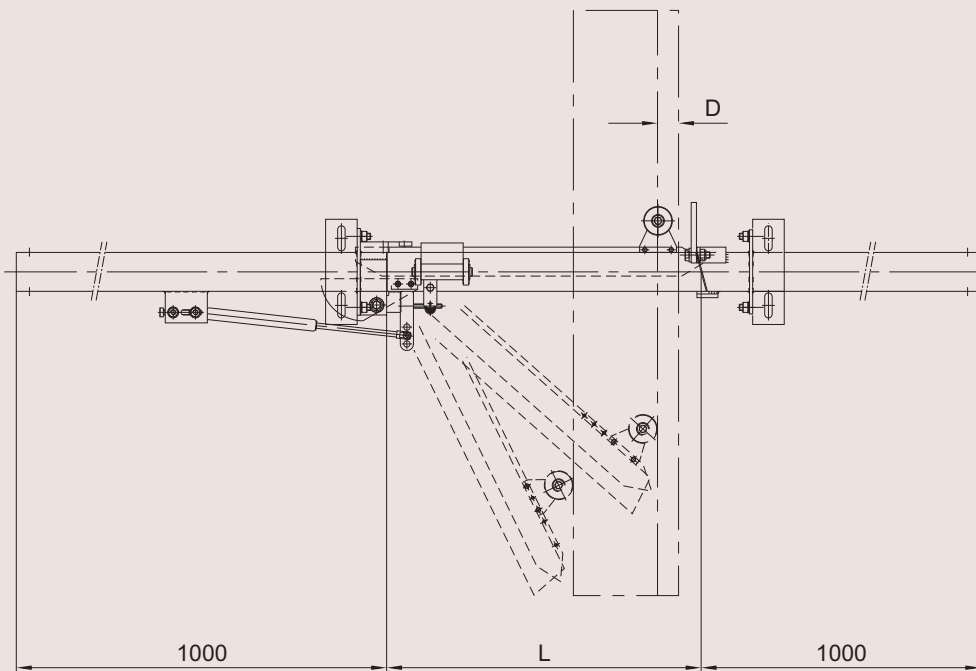
## Mechanical Operation

In case of mechanical operation the sliding door opens the interrupter.

The closing of the interrupter is by a spring mechanism.

The track length "L" is determined as a function of the door thickness "D"

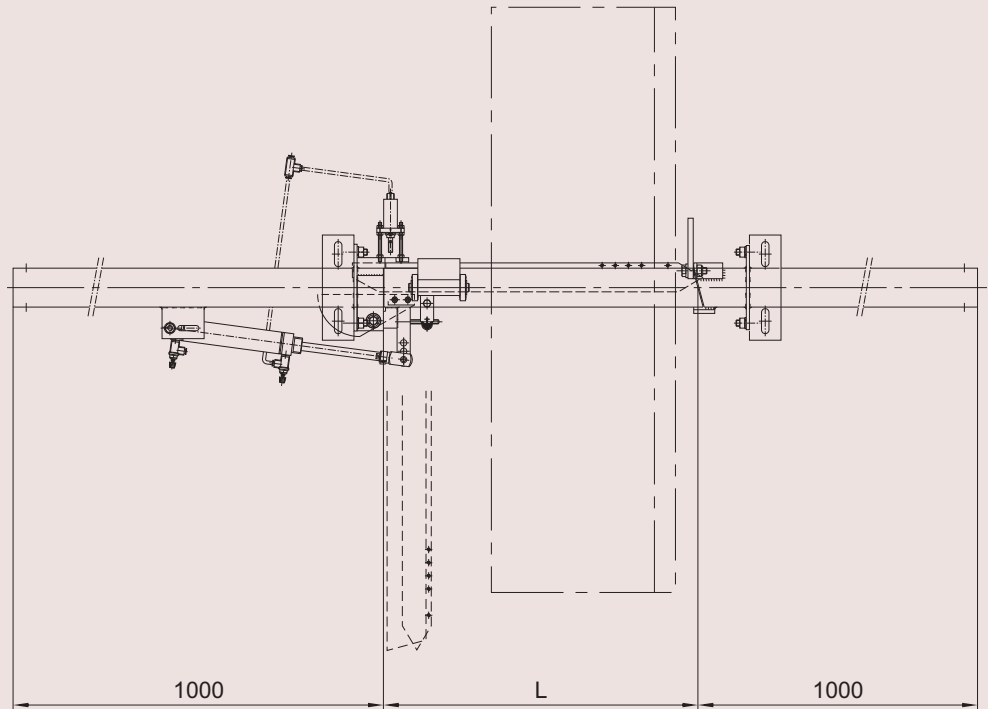
A specific door thickness corresponds with a 4 digit code, which follows the order reference.



Door thickness	Code
0 to 50	0050
50 to 80	0080
80 to 125	0125
125 to 170	0170
170 to 200	0200

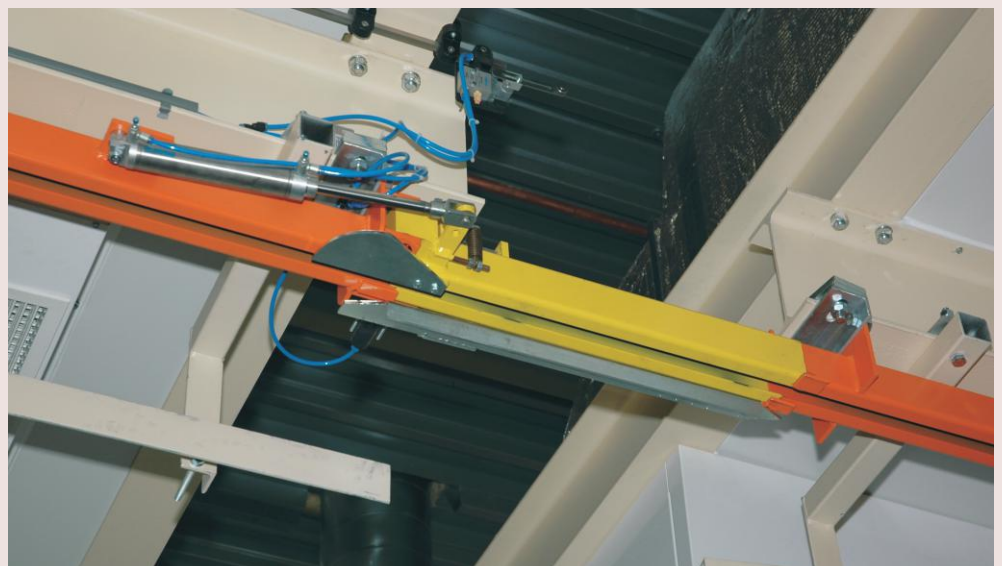
## Pneumatic Operation

In this case the interrupter is opened by a pneumatic cylinder.  
The track length is standard executed with  $L = 550$  mm. In open position the free passage is 320 mm



**Monorail interrupter**

Mechanical rotation		Pneumatic rotation	
Right	Left	Right	Left
232.110 code	232.120 code	232.110.009	232.120.009
242.110 code	242.120 code	242.110.009	242.120.009
252.110 code	252.120 code	252.110.009	252.120.009

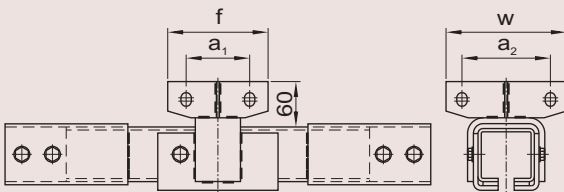
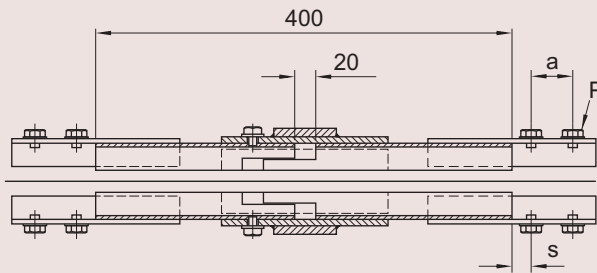


This device is used for applications where the track can expand e.g. safety tracks or ovens. The expansion device is composed of a special bracket with tracks finished at one side as indicated by the drawing.

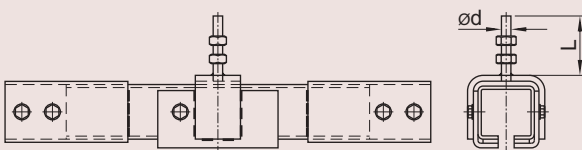
To calculate the number of expansion devices one should take into account that for each expansion device the maximum expansion is 20 mm. The expansion devices are mounted with the maximum opening so that the tracks can expand in case of temperature increase.

According to the fastening possibilities the following options are available.

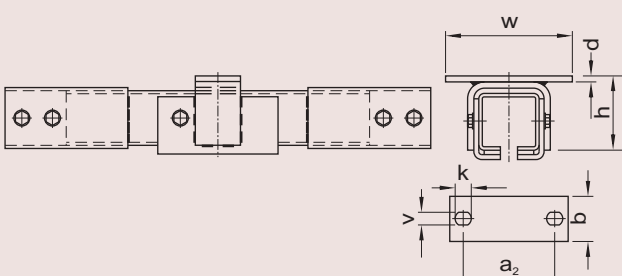
	P	S	a
230.000	M8	18.5	40
240.000	M10	20	40
250.000	M10	25	50



Reference	w	a <sub>1</sub>	a <sub>2</sub>	f
231.970.400	150	84	84	134
241.970.400	160	84	84	134
251.970.400	180	124	124	185



Reference	L	ød
231.950.400	72	M12
241.950.400	74	M16
251.950.400	95	M20



Reference	w	a <sub>2</sub>	v	k	d	b	h
231.980.400	142	108	ø13	-	6	60	82
241.980.400	160	124	ø14	-	8	60	94
251.980.400	145	145	17	22	8	80	119

## General

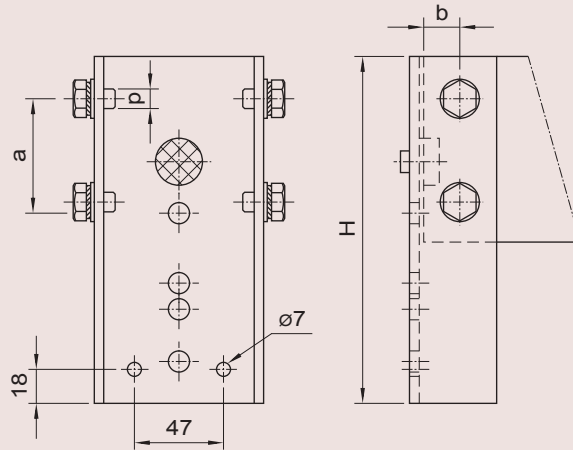
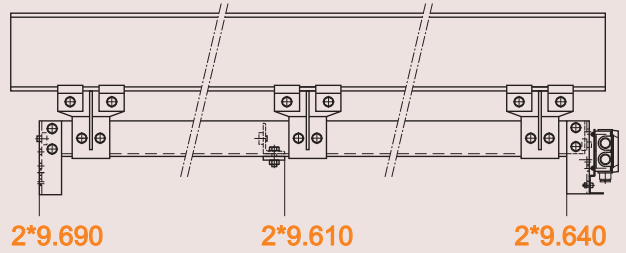
## Expansion Bracket for I-Grider

## Expansion Bracket on Threaded Rod

## Expansion Ceiling Mounted Bracket

### End Cap With Buffer

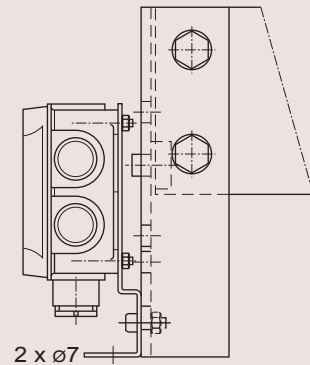
The end cap with buffer is used in combination with a trolley of a hoist or when the trolley should run to the end of the monorail. The rubber buffer can be adjusted according to the type of trolley running in the monorail.



Reference	a	b	p	H
239.690	35	15	M8	134
249.690	40	20	M10	154
259.690	55	20	M10	185

### End Cap With Connecting Box

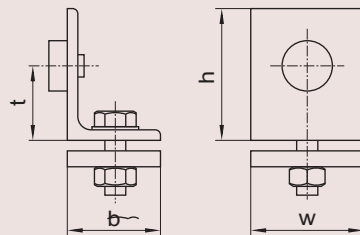
This end cap is provided with a connecting box for flat and flexible electric cables and with fixing holes for the fastening of a cable clamp.



Profiel nr	End cap
239.640	134
249.640	134
259.640	185

### Rail Stop

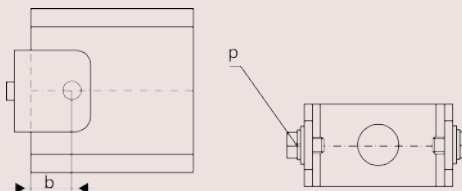
The rail stop is used to limit the runway in a monorail. It is advisable to mount the stop before a bracket.



Reference	t	b	h	W
229.610	20	40	40	38
239.610	28	50	50	45
249.610	30	40	60	56
259.610	40	50	70	60

### End Cap

Reference	b	p
239.620	17,5	M8
249.620	20	M10
259.620	25	M10



The end cap is used for any open end of a monorail track (for light use).

## General

Railtechnik developed a complete range of standard wheelsets to which a specific item such as a bolt, a hook etc... fits according the application. All wheelsets are mounted on ball-bearings. The wheels are working independently and are mounted two by two (bogie arrangement). Depending on the application there is the choice between 2-wheeled, 4-wheeled or 8-wheeled trolleys. All trolleys can rotate on their vertical axis (except series ... .550). The trolleys are also provided with vertical guides in order to avoid the overturning and to assure a perfect guidance during the translation. The standard trolleys are fitted for temperatures of maximum 100 °C. In case of working conditions up to 150 °C or up to 300 °C, the trolleys are mounted on special high temperature ball bearings.

The code of the trolleys changes according to the working conditions : e.g. :

	Up to 100 °C	Up to 150 °C	Up to 300 °C
Ref.	244 010/1	243 510/1	243 010/1

### Carrying capacity of the trolleys

In the tables the maximum carrying capacity 'F' is indicated.

In order to calculate the carrying capacity F, the real net load has to be increased with the operating coefficient and the temperature coefficient 'y'.

$$F = F_n \times \Psi \times y$$

#### Remark:

The maximum admissible carrying capacity "F" of the trolleys is indicated in the tables with operating coefficient  $\Psi = 1$  and temperature coefficient  $y = 1$ .

#### Note:

The maximum temperature for trolleys with nylon wheels is 80 °C.  
Finishing: electro galvanized

### OPERATING COEFFICIENT $\Psi$

Kind of operating	Coefficient $\Psi$
I. Very moderate use, no shock or impact load (e.g. the daily transfer of a load along some meters)	1
II. Normal use, very light shock or impact load (e.g. automatic equal motion with a speed of max. 10 m/min., motion time of the trolleys up to 20 % max.)	1.21
III. Frequent use, light shock or impact load (e.g. manual motion with unequal speed, motion time of the hangers 20 to 50 %).	1.33
IV. Very frequent use, shock or impact load (e.g. continuous working automatic installations, motion time of the hangers 50 to 100 %)	2

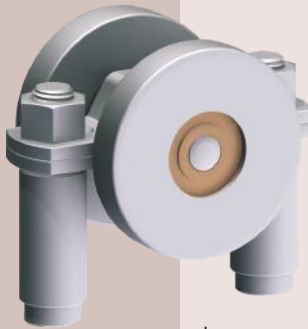
### TEMPERATURE COEFFICIENT y

Temperature	Temperature coefficient y
15 à 100 °C	= 1
à 150 °C	= 1.05
à 200 °C	= 1.15
à 225 °C	= 1.25
à 250 °C	= 1.35
à 275 °C	= 1.50
à 300 °C	= 1.70

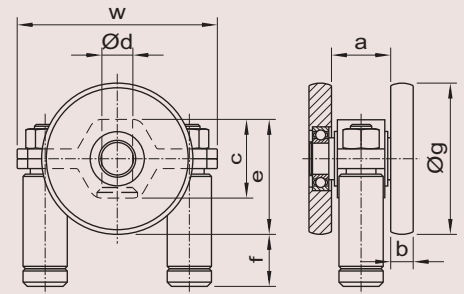
Table:1

Table:2

## Wheelset 100°C



These wheelsets are mounted on sealed ball bearings and are greased for life.

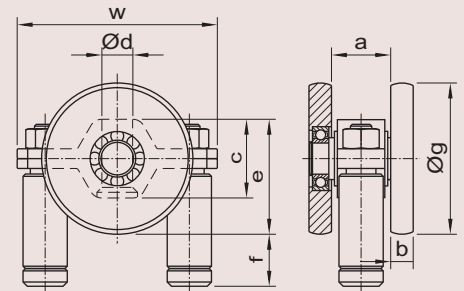


	F*(kg)	a	b	c	Ød	e	f	Øg	w
<b>Steel wheels</b>									
234.010/1	125	25	9.5	27.5	12.2	41	19	54.5	90
244.010/1	250	30	12	32	12.2	48	20.5	61.5	91.5
254.010/1	500	31	12	39	16.2	59	27.5	79.2	105
<b>Nylon wheels</b>									
234.015/1	125	24	10	27.5	12.2	41	18.5	54.6	90
244.015/1	200	30	12	32	12.2	49	19.5	63.5	91.5
254.015/1	300	31	12	39	16.2	56	31	72.5	105

## Wheelset 150°C



These wheelsets are mounted on open ball bearings which are greased with special grease fitted for high temperature. Nothing but oil or grease specially adapted for high temperature, may be used for further lubricating.

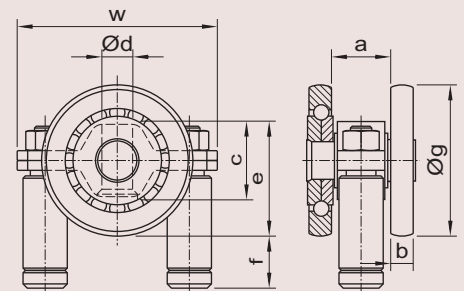


	F*(kg)	a	b	c	Ød	e	f	Øg	w
233.510/1	125	25	9.5	27.5	12.2	41	19	54.5	90
243.510/1	250	30	12	32	12.2	48	20.5	61.5	91.5
253.510/1	500	31	12	39	16.2	59	27.5	79.2	105

## Wheelset 300°C



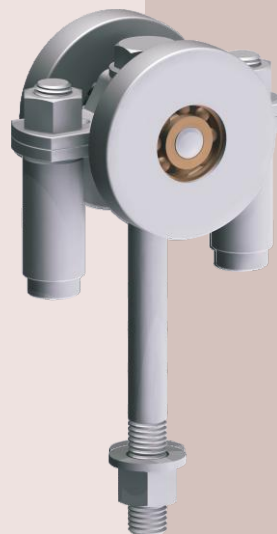
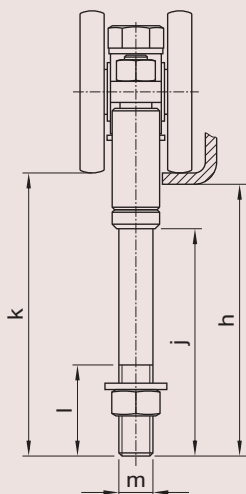
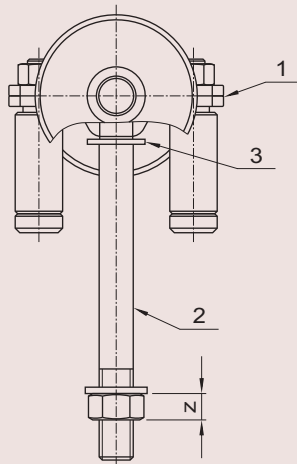
These wheelsets are mounted on open ball bearings which are greased with special grease fitted for high temperature. Further lubricating can be done manually or automatically. Nothing but oil or grease specially adapted for high temperature, may be used for further lubricating.



	F*(kg)	a	b	c	Ød	e	f	Øg	w
233.010/1	125	24	10	27.5	12.2	42	18	56	90
243.010/1	250	30	12	32	12.2	47	19.5	62	91.5
253.010/1	500	30	12.5	39	16.2	59.5	27	80	105



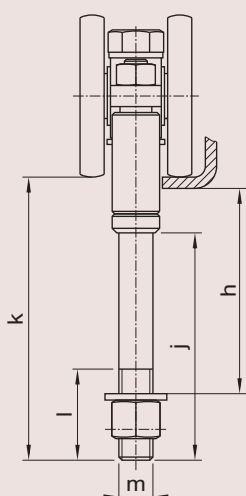
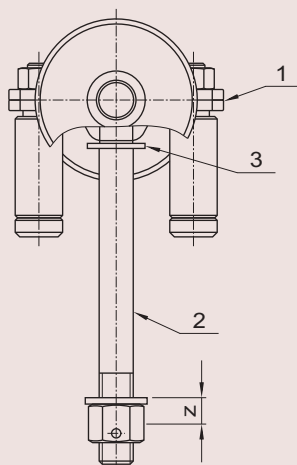
## 2-Wheeled Trolley With Bolt



2\*4.010

	F*(kg)	h	j	k	l	m	z	1	2	3
<b>Steel wheels</b>								Wheelset	Bolt DIN931	Starlock
234.010	125	94.5	78.5	97.5	36	M12	10	234.010/1	M12 x 140	Ø10
244.010	250	96	79	100	36	M12	10	244.010/1	M12 x 150	Ø12
254.010	500	133	110.5	138	44	M16	13	254.010/1	M16 x 200	Ø16
<b>Nylon wheels</b>										
234.015	125	94.5	78.5	97.5	36	M12	10	234.015/1	M12 x 140	Ø10
244.015	200	95	79	99	36	M12	10	244.015/1	M12 x 150	Ø12
254.015	300	136	110.5	141	44	M16	13	254.015/1	M12 x 200	Ø16

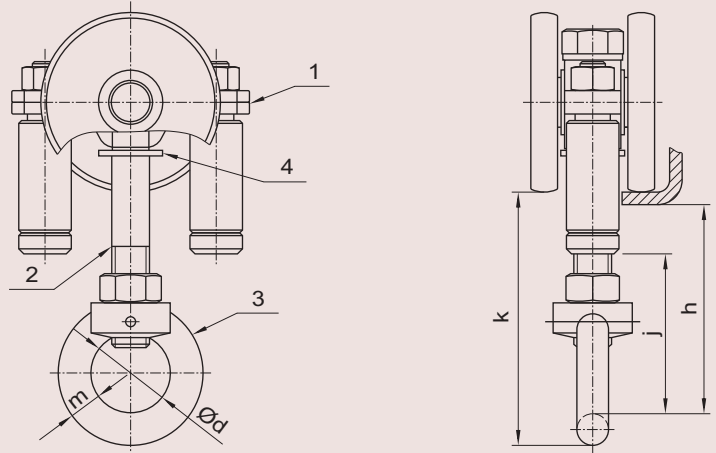
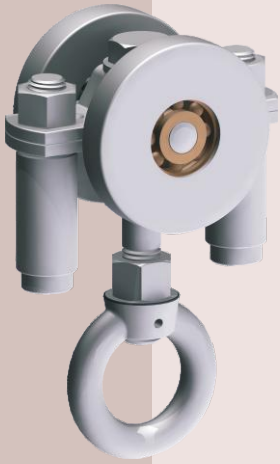
## 2-Wheeled Trolley With Bolt With Longer Nut And Clamping Pin



2\*4.010/001

	F*(kg)	h	j	k	l	m	z	1	2	3
<b>Steel wheels</b>								Wheelset	Bolt DIN931	Starlock
234.010/001	125	72	78.5	97.5	36	M12	16	234.010/1	M12 x 140	Ø10
244.010/001	250	71.5	79	100	36	M12	16	244.010/1	M12 x 150	Ø12
254.010/001	500	101	110.5	138	44	M16	20	254.010/1	M16 x 200	Ø16

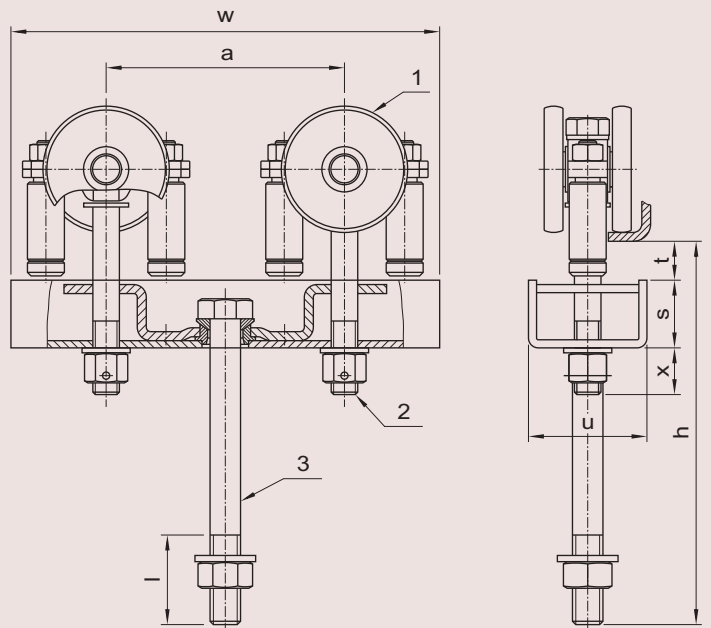
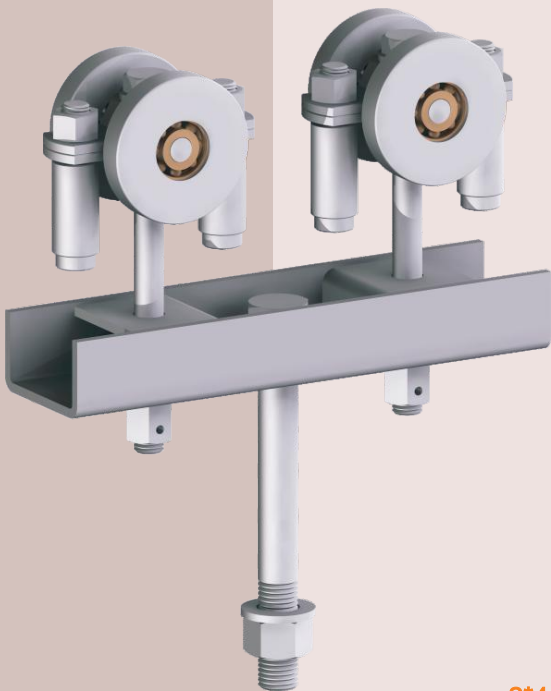
2-Wheeled Trolley With Eye Nut



2\*4.010/003

	F*(kg)	h	j	k	Ød	m	1	2	3	4
<b>Steel wheels</b>							Wheelset	Bolt DIN931	Eye nut	Starlock
234.010/003	125	71	55	85	30	11	234.010/1	M12 x 90	M12	Ø10
244.010/003	250	62	45.5	77	30	11	244.010/1	M12 x 90	M12	Ø12
254.010/003	500	92	69.5	111	35	14	254.010/1	M16 x 130	M16	Ø16
<b>Nylon wheels</b>										
234.015/003	125	71	55	85	30	11	234.015/1	M12 x 90	M12	Ø10
244.015/003	200	61	45.5	76	30	11	244.015/1	M12 x 90	M12	Ø12
254.015/003	300	95	69.5	114	35	14	254.015/1	M12 x 130	M16	Ø16

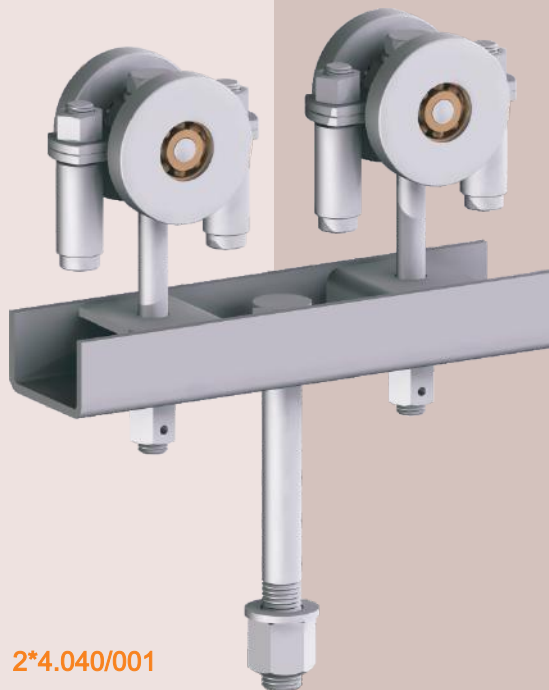
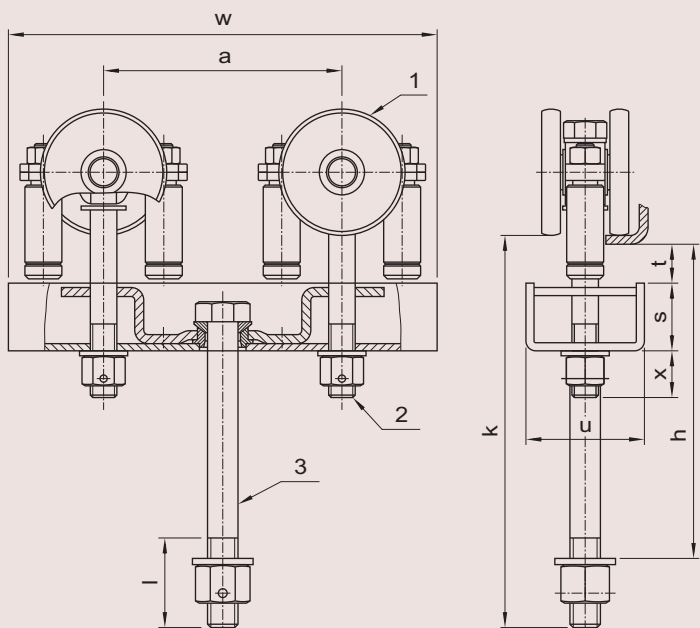
4-Wheeled Trolley With Bolt



2\*4.040

	F*(kg)	w	a	u	t	x	h	l	s	1	2	3
<b>Steel wheels</b>										Wheelset	Bolt DIN931	Bolt DIN931
234.040	250	220	120	58	37	26	206	44	33	234.010/1	M12 x 140	M16 x 150
244.040	500	220	120	58	37	27	206	44	33	244.010/1	M12 x 150	M16 x 150
254.040	1000	250	140	60	43	25	211	52	35	254.010/1	M16 x 170	M20 x 150

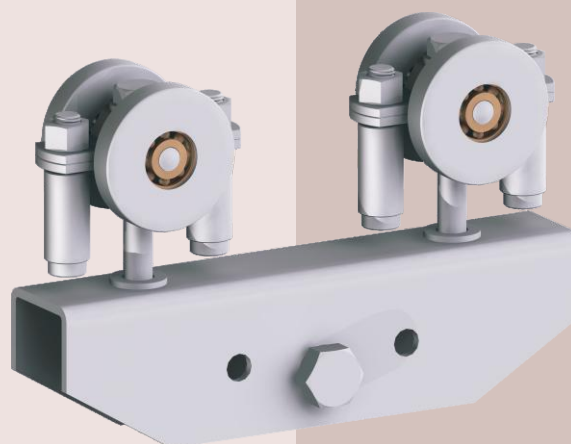
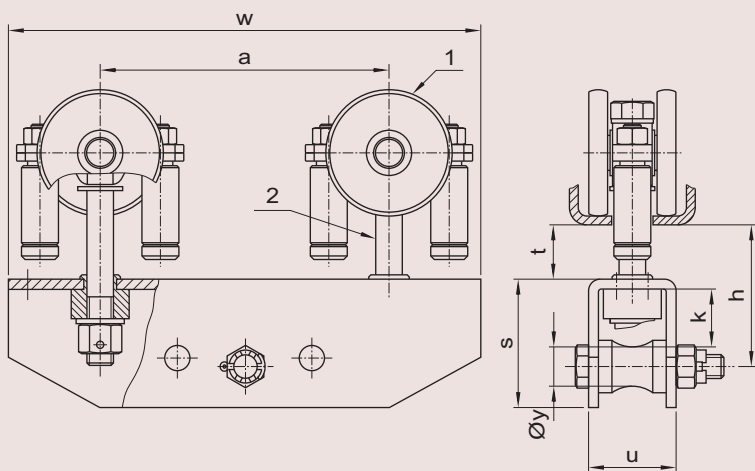
**4-Wheeled Trolley With Bolt With Longer Nut And Clamping Pin**



2\*4.040/001

	F*(kg)	w	a	u	t	x	h	k	l	s	1	2	3
Steel wheels											Wheelset	Bolt DIN931	Bolt DIN931
234.040/001	250	220	120	58	37	26	171	209	44	33	234.010/1	M12 x 140	M16 x 150
244.040/001	500	220	120	58	37	27	176	210	44	33	244.010/1	M12 x 150	M16 x 150
254.040/001	1000	250	140	60	43	25	173	216	52	35	254.010/1	M16 x 170	M20 x 150

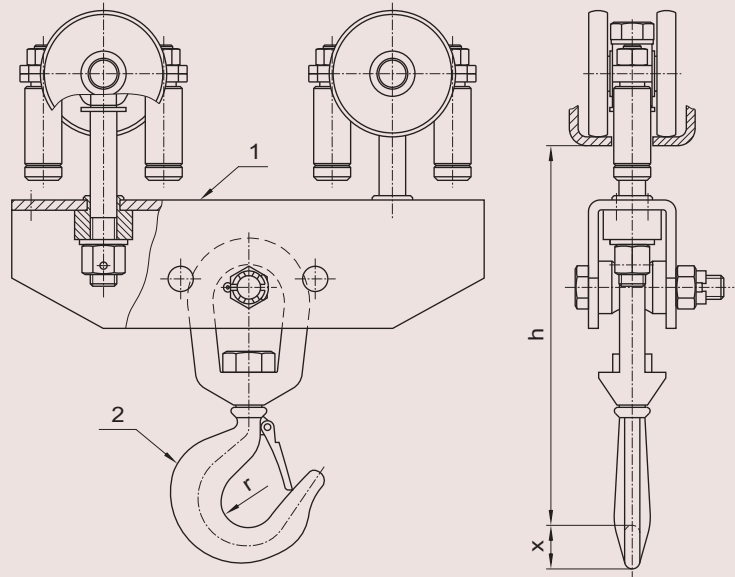
**4-Wheeled Trolley With Axle For Hoist**



2\*4.050

	F*(kg)	w	a	h	k	u	s	t	Ød	1	2
Steel wheels										Wheelset	Bolt DIN931
234.050	250	245	150	66.5	29.5	46	66	22	20	234.010/1	M12 x 110
244.050	500	245	150	75	29.5	46	66	31.5	20	244.010/1	M12 x 130
254.050	1000	280	170	80	32	49	70	32	22	254.010/1	M16 x 150

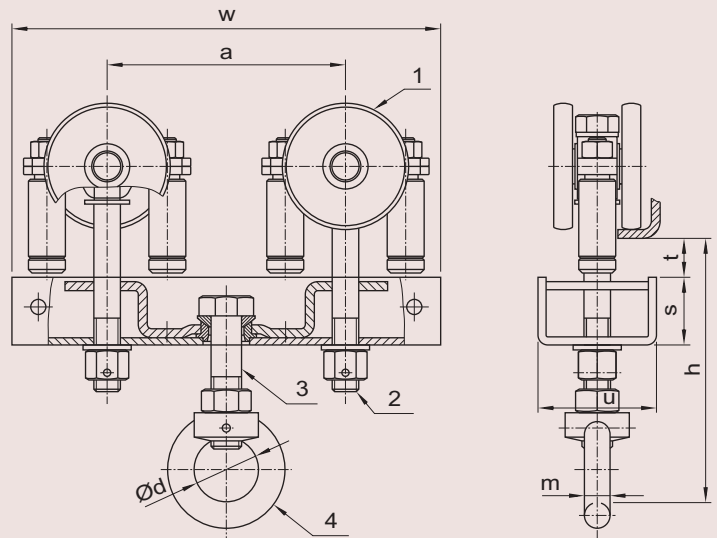
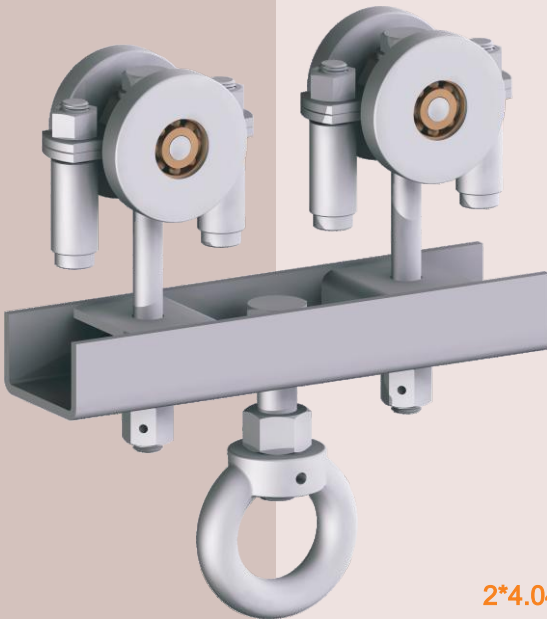
**4-Wheeled Trolley With Swivel Hook And Safety Latch**



2\*4.050/006

	F*(kg)	h	r	x	1	2
Steel wheels					2*4.050	Swivel hook
234.050/006	250	191	14	23	Dimensions see 234.050	254.050.006.000
244.050/006	500	200	14	23	Dimensions see 244.050	254.050.006.000
254.050/006	1000	204	14	23	Dimensions see 254.050	254.050.006.000

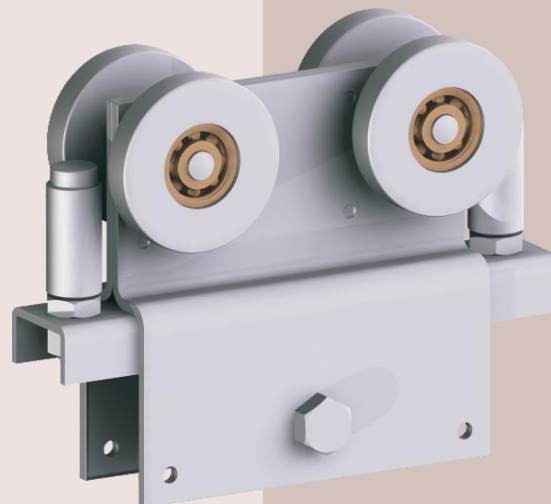
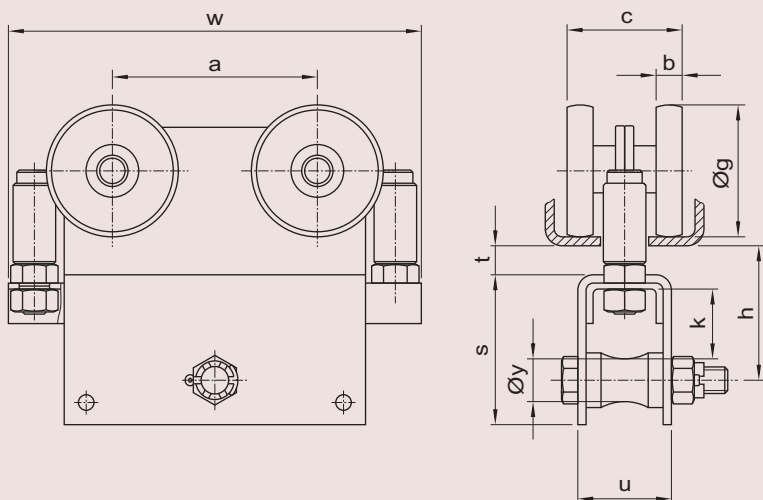
**4-Wheeled Trolley With Eye Nut**



2\*4.040/003

	F*(kg)	w	a	u	t	s	h	Ød	m	1	2	3	4
Steel wheels										Wheelset	Bolt DIN931	Bolt DIN931	Eye nut
234.040/003	250	220	120	58	37	33	155	35	Ø14	234.010/1	M12 x 140	M16 x 70	M12
244.040/003	500	220	120	58	37	33	155	35	Ø14	244.010/1	M12 x 150	M16 x 70	M12
254.040/003	1000	250	140	60	43	35	174	40	Ø16	254.010/1	M16 x 170	M20 x 80	M16

## 4-Wheeled Trolley With Axle For Hoist - Straight Sliding

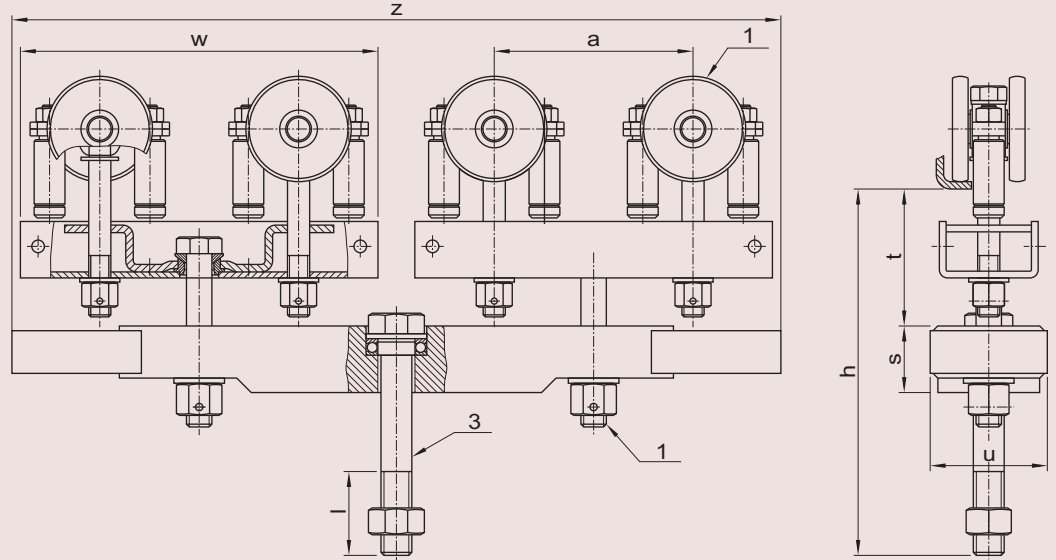


2\*4.550

	F*(kg)	w	a	b	c	Øg	h	k	u	s	t	Øy
Steel wheels												
234.550	250	194	96	9.5	44	54.5	67.5	32	44	70	18.5	22
244.550	500	194	96	12	53.5	61.5	63	32	44	70	14	20
254.550	1000	214	108	12	54.5	79.2	67	33.5	49	76	13.5	20

Standard execution (100° C)	Trolleys-high temperature		Description
	Execution 150° C	Execution 300° C	
234.010	233.510	233.010	2-wheeled trolley with bolt M12
234.010/001	233.510/001	233.010/001	2-wheeled trolley with bolt M12 + higher nut
234.040	233.540	233.040	4-wheeled trolley
234.040/001	233.540/001	233.040/001	4-wheeled trolley + higher nut
244.010	243.510	243.010	2-wheeled trolley with bolt M12
244.010/001	243.510/001	243.010/001	2-wheeled trolley with bolt M12 +higher nut
244.040	243.540	243.040	4-wheeled trolley
244.040/001	243.540/001	243.040/001	4-wheeled trolley +higher nut
254.010	253.510	253.010	2-wheeled trolley with bolt M16
254.010/001	253.510/001	253.010/001	2-wheeled trolley with bolt M16 + higher nut
254.040	253.540	253.040	4-wheeled trolley
254.040/001	253.540/001	253.040/001	4-wheeled trolley + higher nut

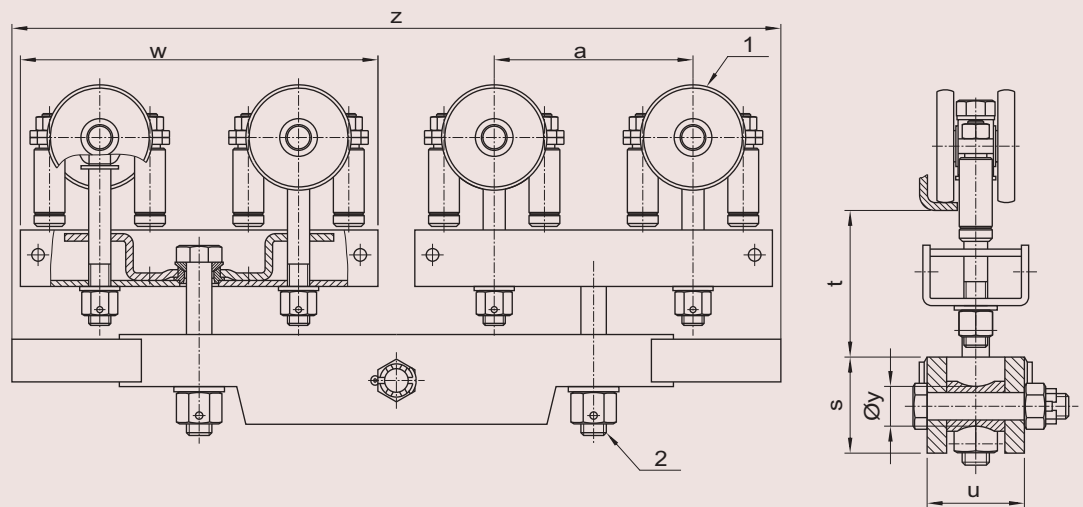
8-Wheeled Trolley With Bolt



N.B.: id. for 8-wheeled trolley with higher nut

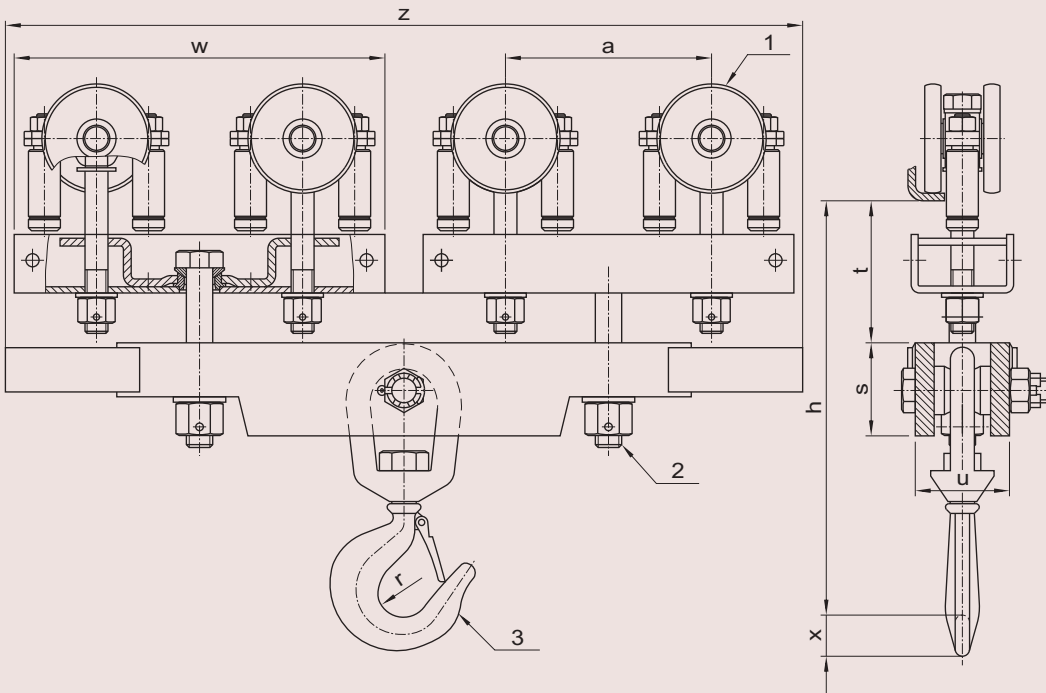
	F*(kg)	w	a	z	u	h	l	s	t	1	2	3
Steel wheels										Wheelset	Bolt DIN931	Bolt DIN931
254.070	1800	250	140	530	80	530	56	45	100	254.010/1	M20 x 120	M22 x 150

8-Wheeled Trolley For Hoist



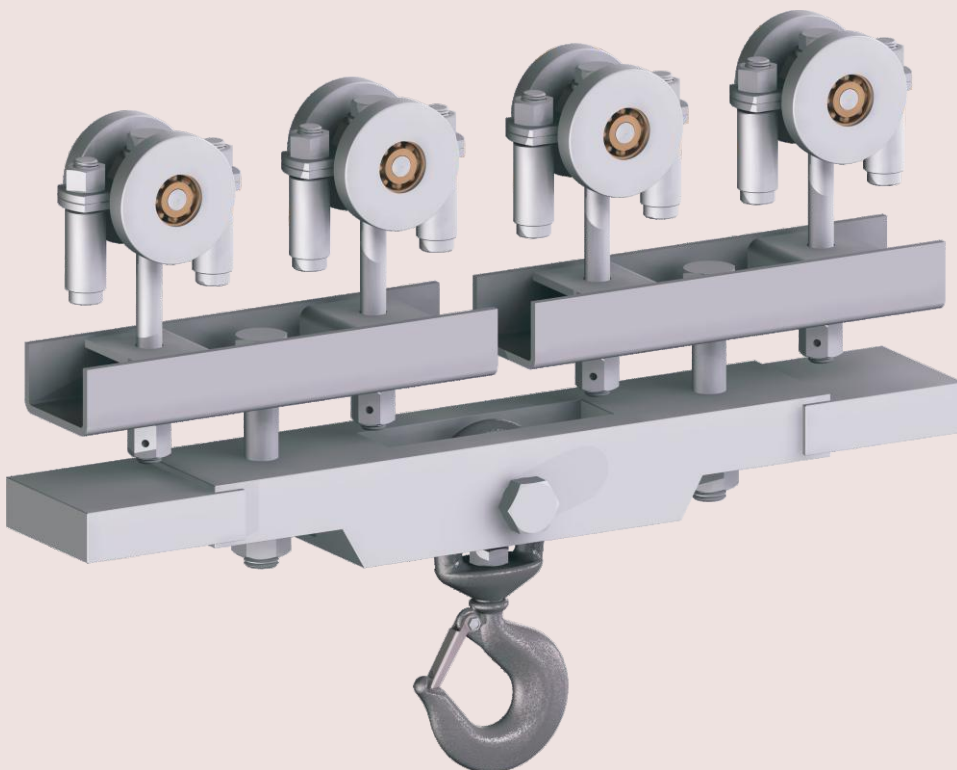
	F*(kg)	w	a	z	u	s	t	Øy	1	2
Steel wheels									Wheelset	Bolt DIN931
254.070	1800	250	140	530	63	60	100	25	254.010/1	M20 x 120

**8-Wheeled Trolley With Swivel Hook And Safety Latch**



N.B.: id. for  
8-wheeled trolley  
with higher nut

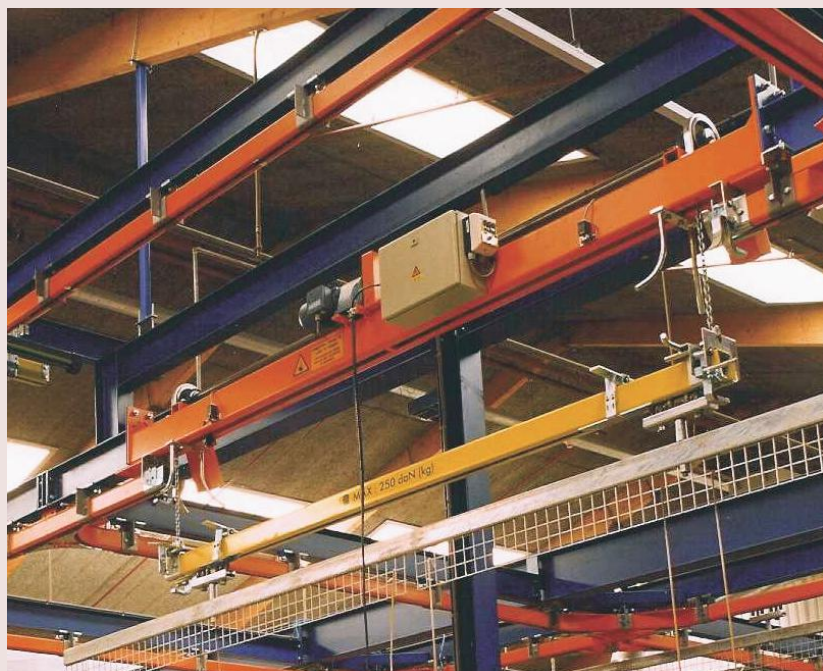
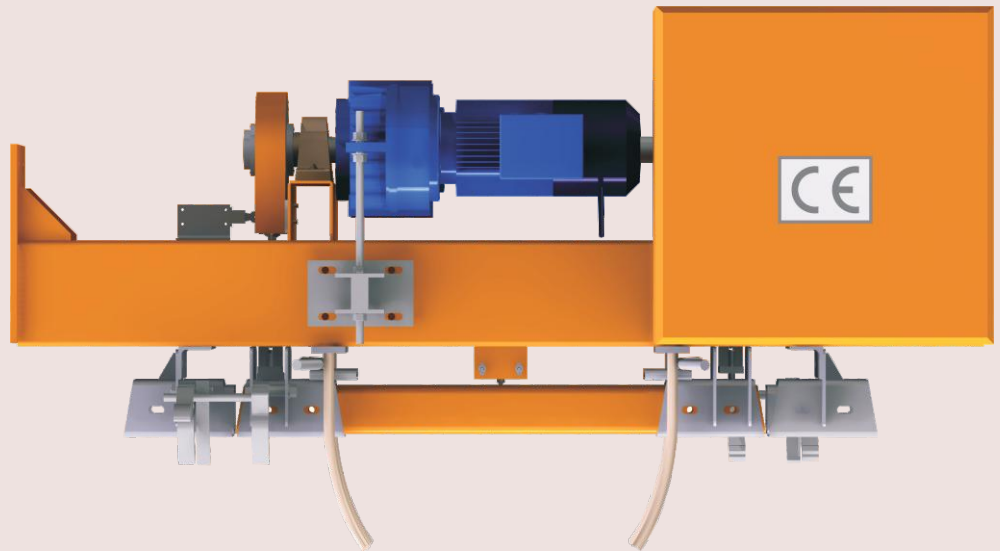
	F*(kg)	w	a	z	u	h	r	s	t	x	1	2	3
Steel wheels	1800	250	140	530	63	277	17	60	100	30	Wheelset	Bolt DIN931	Hook
254.090/006											254.010/1	M20 x 120	254.090.006.000



With a lift-lower device often called a dropsection, goods can be lifted or lowered to a man's working height; this allows the track to be installed at a higher level. In the loading and unloading area goods can be easily handled. A lift-lower device can be incorporated in either new or existing installations. Lift-lower devices are also used to immerse loads.

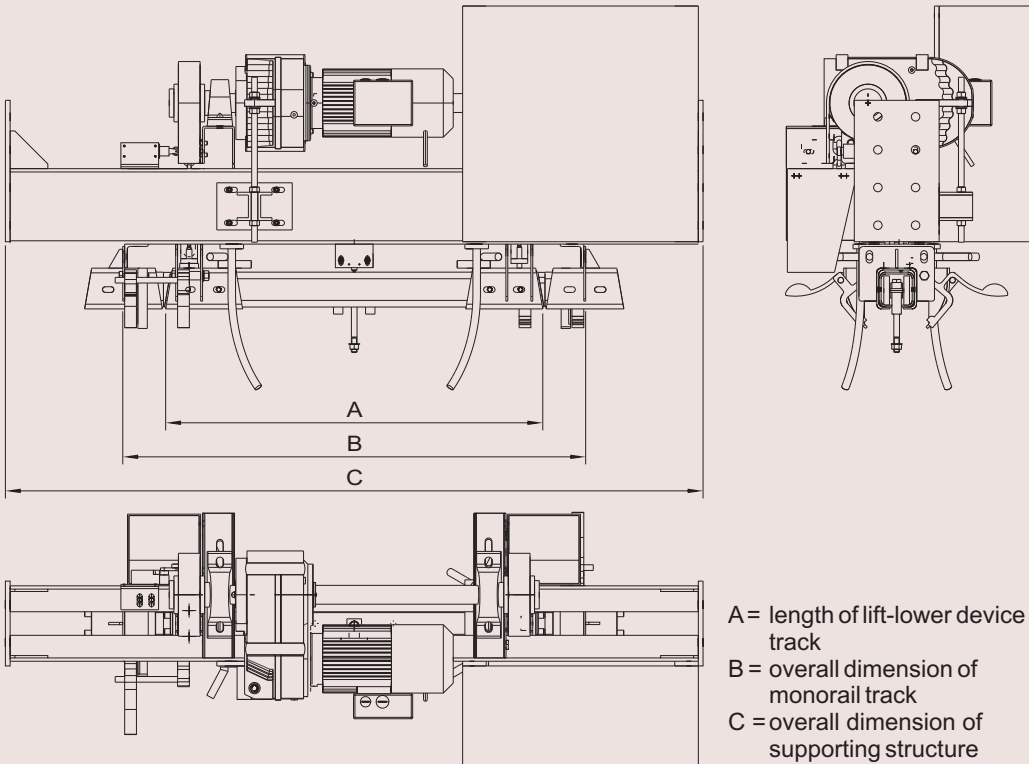
The problem of different levels in a circuit can be solved: for special applications lift-lower devices with a vertical guide system can be installed. The lift-lower devices are standardized for lifting capacities of 250 kg and 500 kg. On request options for 1000 kg are available.

A lift-lower device is manufactured such that the lifting device is mounted on to the supporting structure. This supporting structure is integrated in the steelwork of the monorail circuit. Installation is by bolted flange plates directly to the support structure.





## Lift-Lower Devices



Load	Series	OVERALL DIMENSIONS		
		A	B	C
250 kg	230.000	1000-1500-2000-... per 500mm	A+ 165	A+ 500
	240.000	1000-1500-2000-... per 500mm	A+ 172	A+ 500
	250.000	1000-1500-2000-... per 500mm	A+ 192	A+ 500
	2*0.000	750	942	1500
500 kg	240.000	1000-1500-2000-2500-... per 500mm	A+ 194	A+ 500
	250.000	1000-1500-2000-2500-... per 500mm	A+ 194	A+ 500

### Options:

- Pneumatic locking devices with control switch (pneumatic locking devices are necessary when several trolleys are positioned at the same time in the lift-lower device track)
- Connecting voltage: 400VAC 3p+N+PE, 0.75kW
- Spring-controlled positioning switch
- Alternative lifting speed (up to 10 m/min)
- Lifting height > 3,5 m
- Adjustable speed
- Detection of the trolley or the crossbeam in the lift-lower track; in this case the trolley or crossbeam is provided with a detection plate.
- EX- execution: Exd. engine, explosion-proof control device, electric box with intrinsically safe electrics (In this case the electric box should be placed outside the Ex-zone).
- Positioning device to stop the trolley in the center of the lift-lower device track.

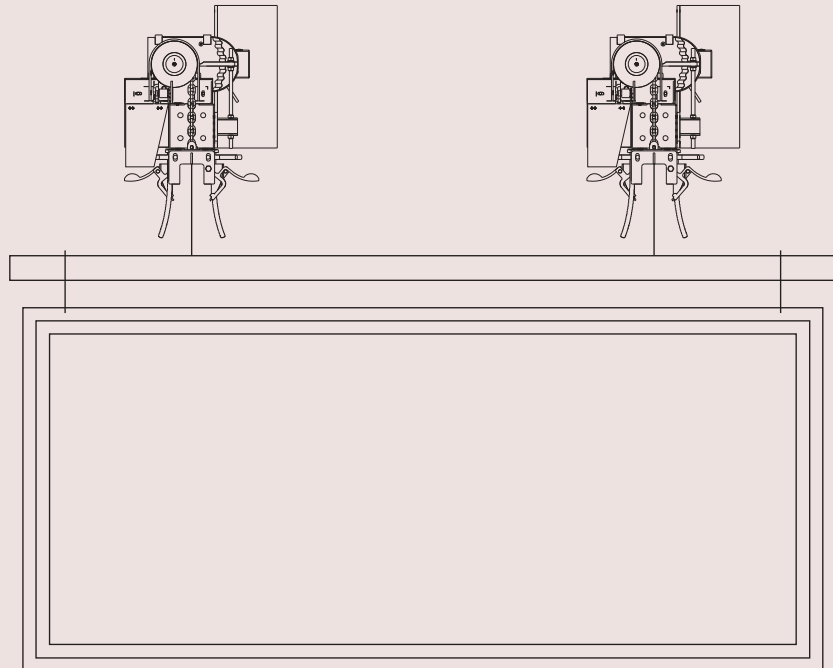
Lift-lower devices of 1000 kg are only manufactured on request according to the specific demands of the customer.

## Coupled Lift-Lower Devices

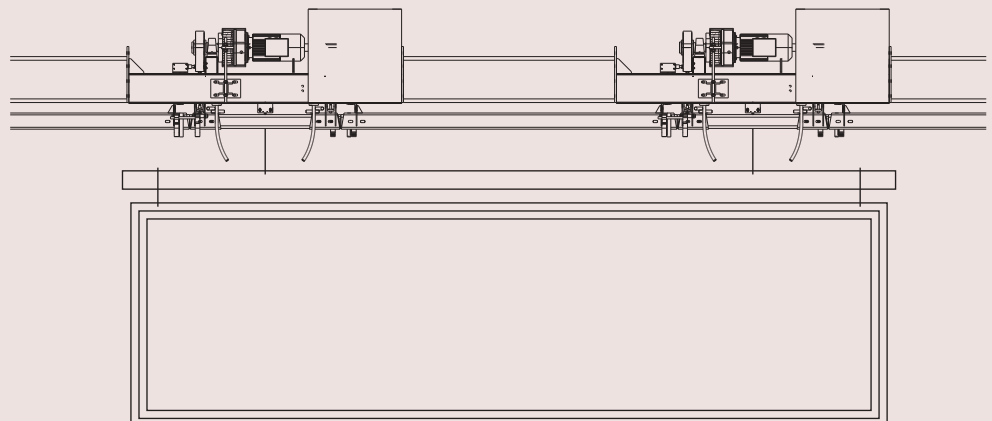
Two lift-lower devices can be coupled electrically so that both devices are controlled from one single control box and operated with one single manual pendant control.

## Sideways Lift-Lower Devices

A cross lift-lower device is composed of two standard lift-lower device mounted in parallel



## 2 Lift-Lower Devices In Sequence

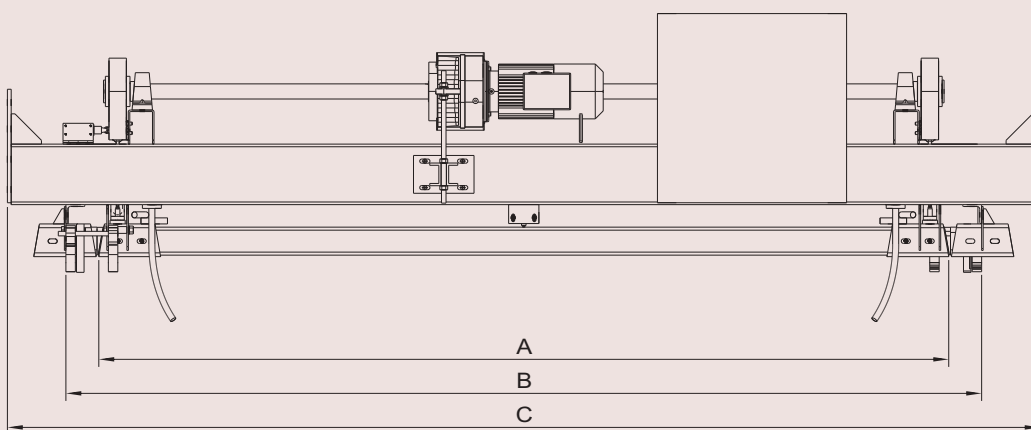


## Extended Lift-Lower Devices

These extended lift-lower devices are used in a circuit where a long flightbar is used. In this case the flightbars are provided with a detection plate so that the lift-lower device only can be operated if the flightbar is correctly positioned in the track of the lift-lower device.

Zone detection on both sides of the lift-lower device also can be provided, in order to avoid collision of the flightbars while operating the lift-lower device.

Please contact our engineering department.



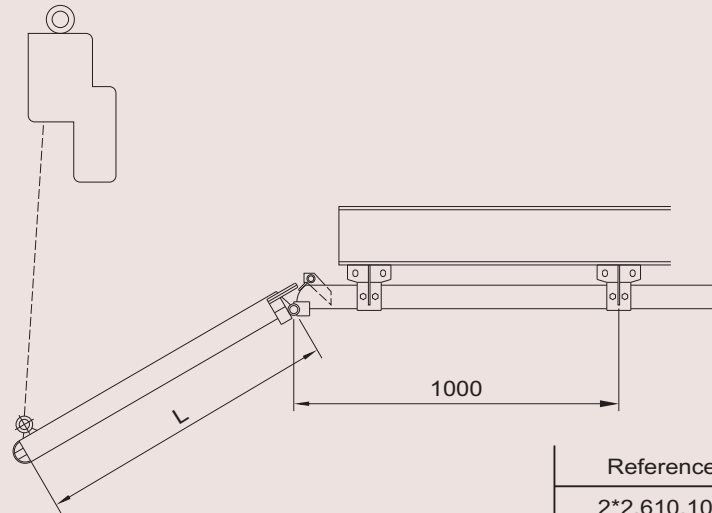
A = length of lift-lower device track  
B = overall dimension of monorail track  
C = overall dimension of supporting structure



An end lift-lower device consists of a track of 1 meter and a hinged track of length "L" = (see table).

With a hoist or a compressed air cylinder the hinged track can be lifted. A safety device automatically locks the track.

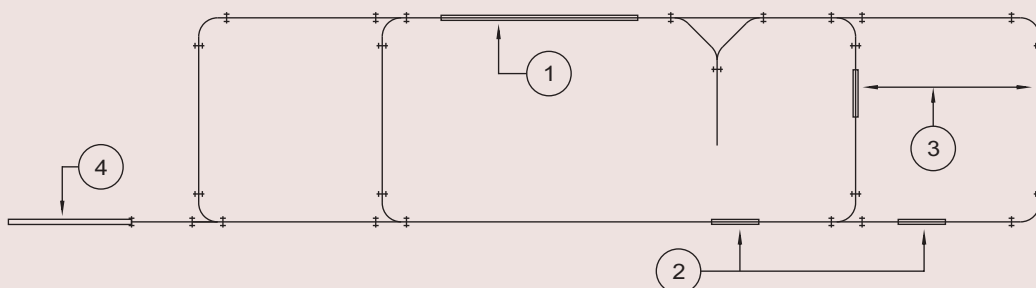
The length "L" has to be communicated when ordering.



Reference	L
2*2.610.100	950
2*2.610.150	1450
2*2.610.200	1950
2*2.610.250	2450
2*2.610.300	2950
2*2.610.350	3450
2*2.610.400	3950



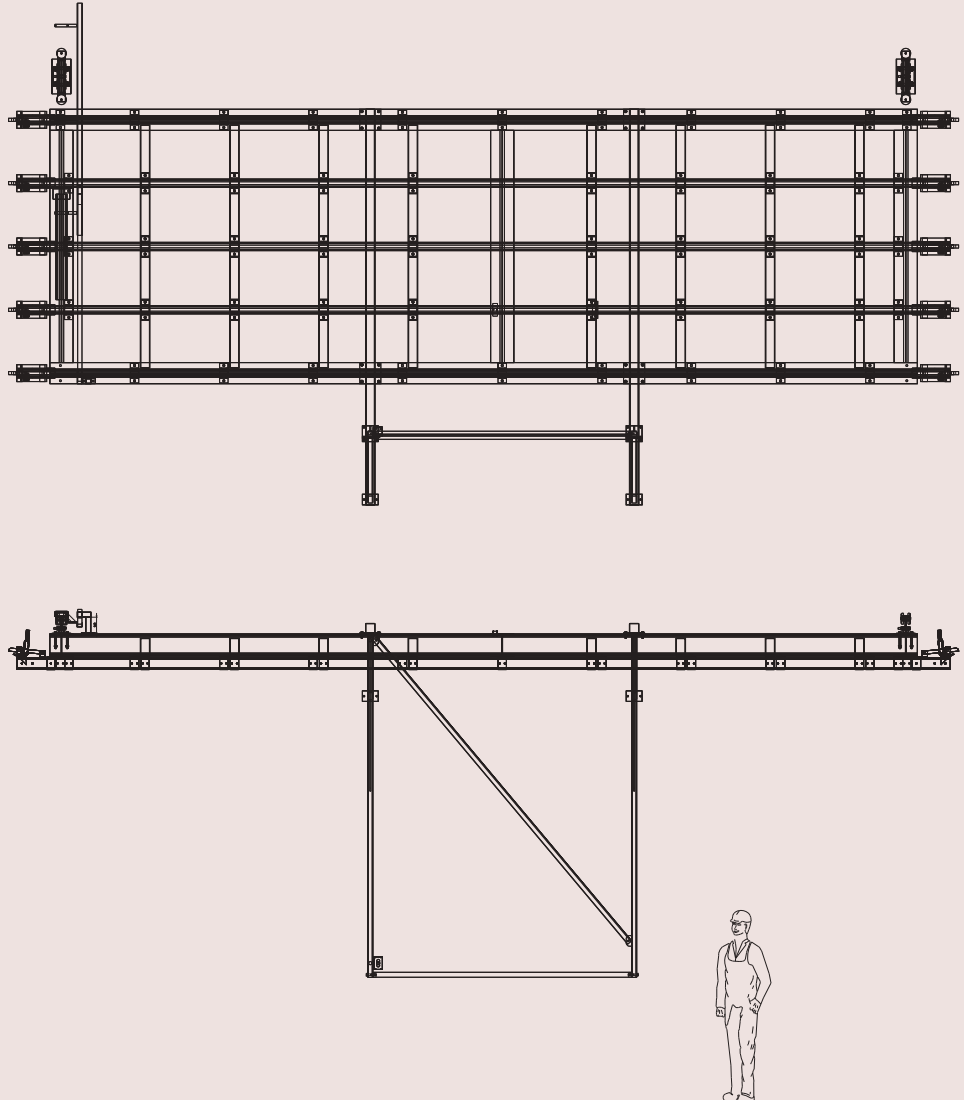
## Positioning Lift-Lower Devices In a Circuit



- 1. standard lift-lower device
- 2. coupled lift-lower devices in sequence
- 3. cross lift-lower device
- 4. end lift-lower device

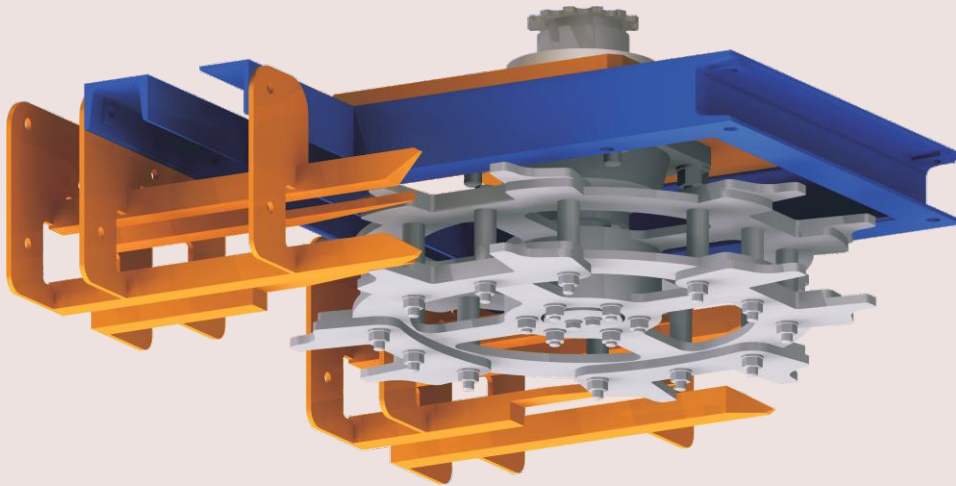


In a monorail circuit a bridge crane can be mounted in order to allow the trolleys to run in parallel mounted tracks: e.g. in baking ovens or sorting areas. The bridge crane can be coupled mechanically or pneumatically.



Railtechniek have developed several systems which can be applied according to the specific need like a simple powered conveying chain or a walking beam to provide automatic feed or automatic buffering.

Our sales department can inform you about the many different standard solutions developed by Railtechniek for numerous applications.



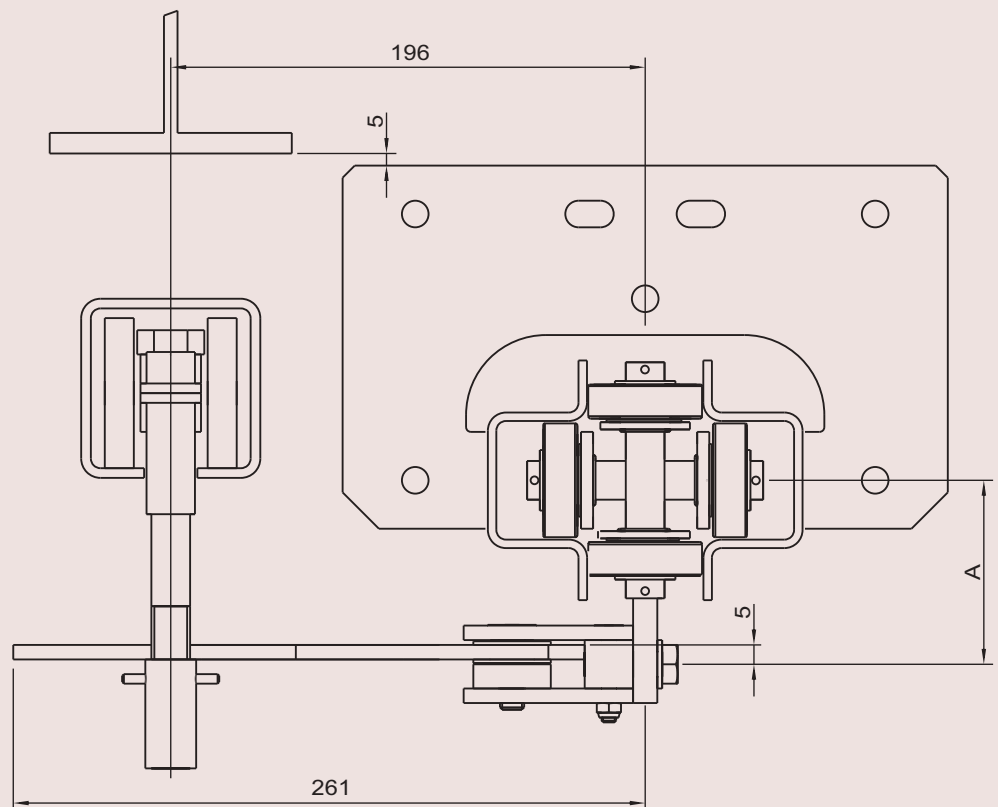
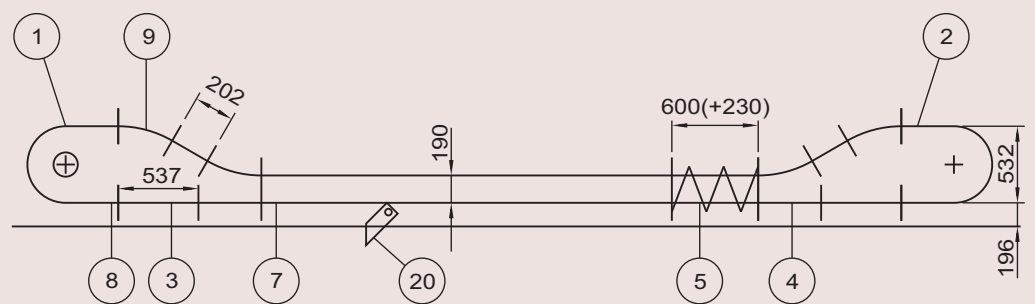
For automatization of manual monorail systems there are various options available.

Transportation is done by use of a transfer, a chain with pusher dog running next to the monorail and pushing a loadbar.

This is a cost efficient way for transportation through a spraybouth for example or the return line of empty carriers while keeping the rest of the system manual and not lose flexibility.

Railtechnik standard Teleflex D8 transfers which can be used in near endless situations applies due to its modular components.

Basic transfer example:

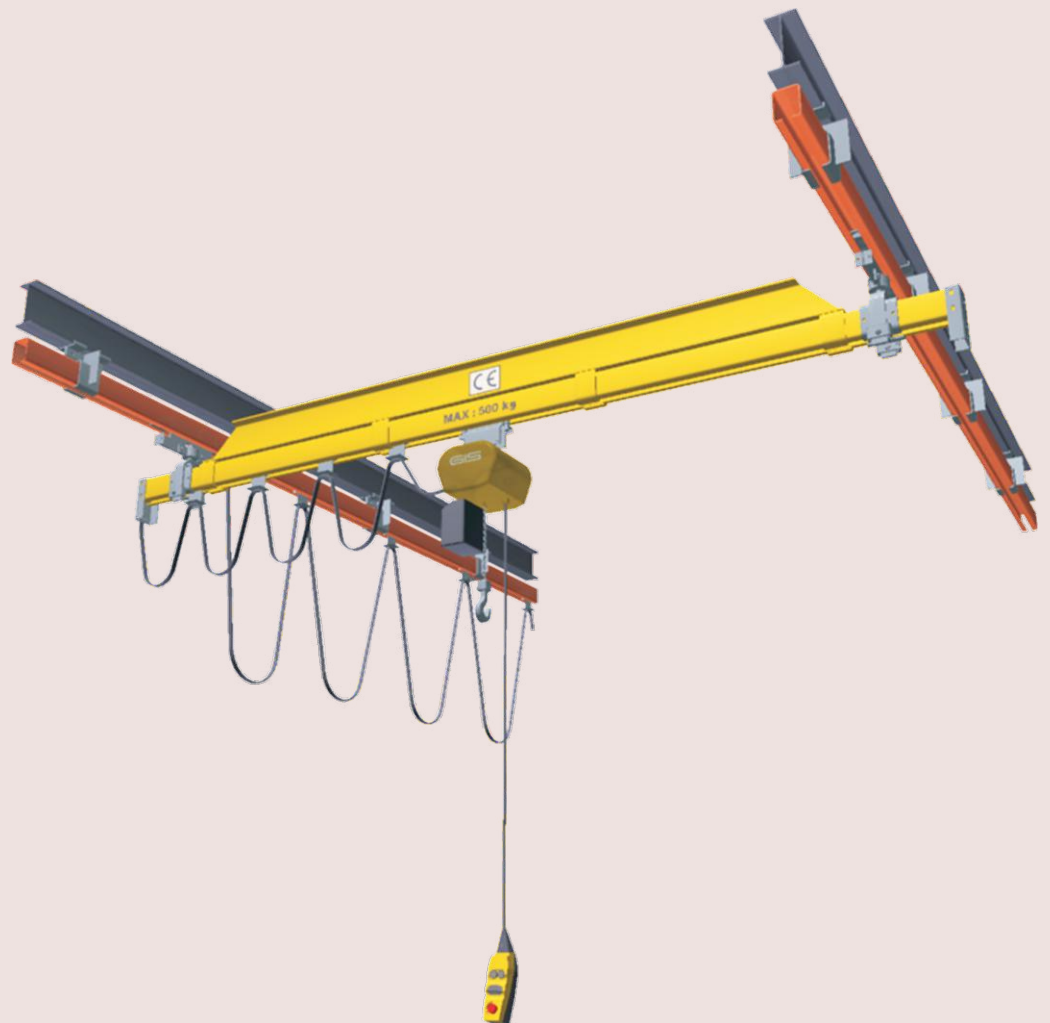
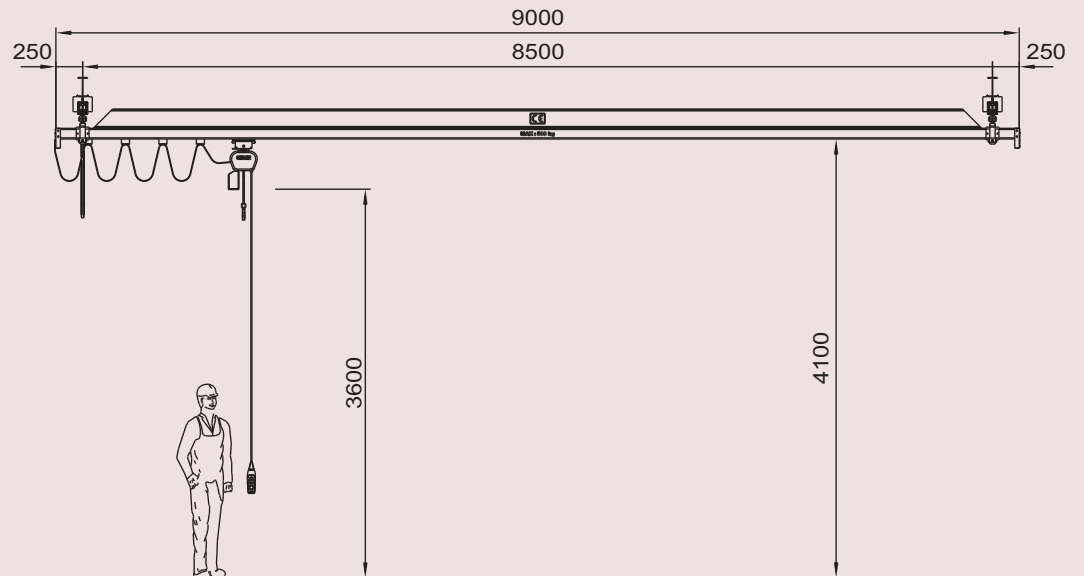




	Description	Code	Symbol	Remark
1	Drive wheel 8T	802.400		Type 1 = 0.25-1.9 m/min Type 2 = 1.9-14.9 m/min Type 3 = 0.8-6 m/min
2	Turnwheel 8T	802.405		
3	In/out for 8T wheel right	802.437R		
4	In/out for 8T wheel left	802.437L		
5	Double tension rail	803.208		
6	Tension rail	803.209		
7	Straight double track	803.008		
8	Straight track	803.000		
9	Bend 30° R750	803.014		
10	Bend 45° R750	803.013		
11	Bend 90° R750	803.011		
12	Worm drive double track	803.007		ask our engineering for motor specifications
13	Worm drive single track	803.035		ask our engineering for motor specifications
14	Chain, till 80°C	800.302		ZZ bearings
15	Chain, till 110°C	800.303		2RS bearings
16	Chain, till 280°C	800.300		C3 bearings (open)
17	Lubrificator single track	RT-24711		
18	Lubrificator double track	RT-32477		
19	Pusherdog left	RT-19307		Height A to be determined
20	Pusherdog right	RT-19475		Height A to be determined

Remark concerning the chain: pitch = 203.2 mm  
Pusherdog can be mounted every 406.4 mm

**Railtechnik** manufactures a large range of bridge cranes.  
Please ask for the separate catalogue.



Railtechnik manufactures a large range of tracks with adaptor brackets and clamps for cable guidance.

Cable guidance applies for flat as well as for tubular flexible cable. Compressed air lines are hung on specially adapted trolleys.

Please ask for the separate catalogue.



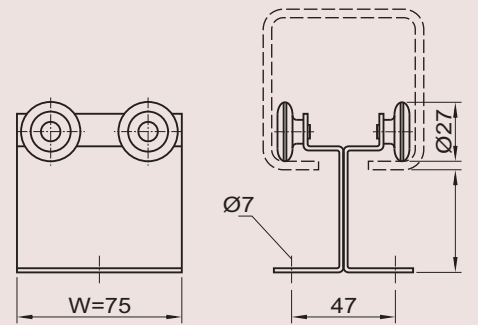
### Cable Guidance Trolleys

**Electric cable**

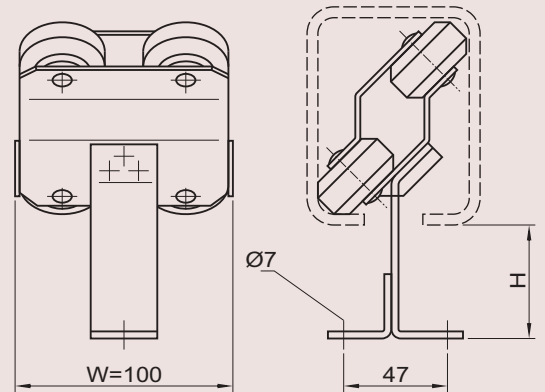
- Cable guidance trolley no 235.245 for track no 230.000
- The cable guidance trolley no 245.245 can be used in tracks no 240.000 as well as in tracks no 250.000



Track	Trolley No	L
230.000	235.245	52
230.000	235.245	52
230.000	235.245	52

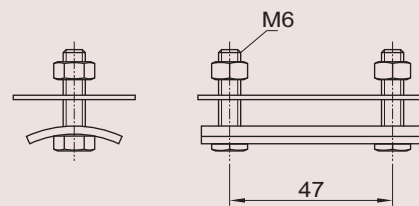
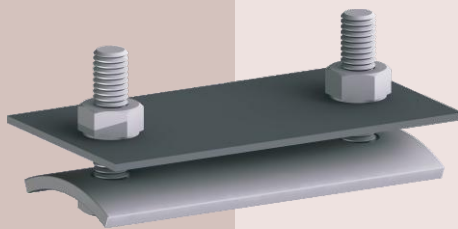


Track	Trolley No	L
230.000	235.245	52
230.000	235.245	52
230.000	235.245	52



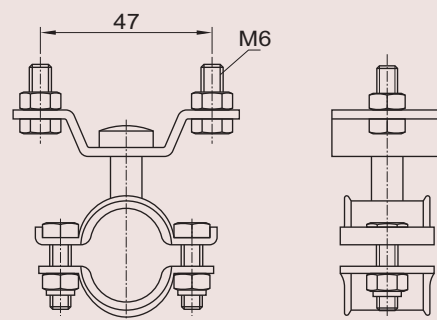
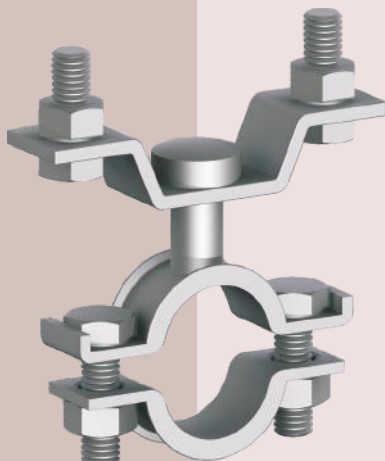
### Cable Clamps

**Electric flat cable: clamp no 417.220**  
max. cable width 40 mm



**Compressed air line**

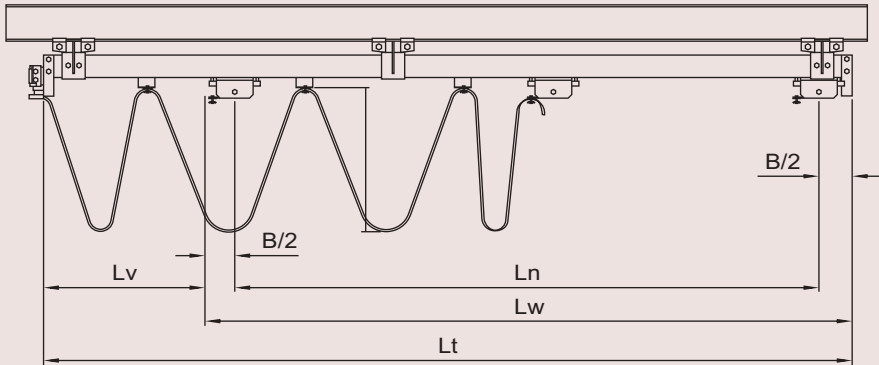
- Hose diameter minimum 10 mm maximum 18 mm **Clamp no. 417.110**
- Hose diameter minimum 20 mm maximum 25 mm **Clamp no. 417.120**



## Calculation

The following table helps to determine the number of the cable guidance trolleys (n) and the length of the feed cable or the compressed air hose (LK)

- For an effective runway of a trolley (Ln) < 30 m, the values of n and LK are detailed.



Track length $L_n$	Cable length $L_k$	Number of cable guidance trolley (n) for a loop height A (m)			
		0.5	0.63	0.8	1.0
5	7.5	5	4	3	2
6	8.6	6	5	4	3
7	9.7	7	6	4	3
8	10.8	8	6	5	4
9	11.9	9	7	6	4
10	13.0	10	8	6	5
11	14.1	12	9	7	6
12	15.2	13	10	8	6
13	16.3	14	11	8	7
14	17.4	15	12	9	7
15	18.5	16	13	10	8
16	19.6	17	13	10	8
17	20.7	18	14	11	9
18	21.8	19	15	12	9
19	22.9	20	16	13	10
20	24.0	21	17	13	10
21	25.1	23	18	14	11
22	26.2	24	19	15	12
23	27.3	25	20	15	12
24	28.4	26	20	16	13
25	29.5	27	21	17	13
26	30.6	28	22	17	14
27	31.7	29	23	18	14
28	32.8	30	24	19	15
29	33.9	31	25	19	15
	35.0	32	26	20	16

-For an effective runway of the trolley ( $L_n$ ) > 30 m the values of n and LK are calculated as follows:

$$-n = \frac{L_n \times C}{2 \times A} \quad -1 \quad n = \text{number of cable guidance trolleys} \quad A: \text{Loop height} \quad C: \text{Coefficient}$$

Height of the loop (m): A	0.5	0.63	0.8	1.0
Coefficient C	1.1	1.08	1.065	1.05

$$L_k = L_t \times 1.1 + 2 \text{ m}$$

$$L_t = L_w + L_v$$

$$L_w = L_n + B$$

$$L_v = n \times w$$

$L_k$  : Cable length

$L_t$  : Total length of the track

$L_w$  : Length of the runway

$B$  : Width of the trolley

$L_v$  : Required space for the cable guidance trolleys

$w$  : Width of the cable guidance trolley

RAILTECHNIEK VAN HERWIJNEN B.V.



THE NETHERLANDS

TELEFLEX B.V.



THE NETHERLANDS

RAILTECHNIQUE FRANCE SARL



FRANCE

TFX-RAILTECHNIK GmbH



GERMANY

STEWART GILL CONVEYORS LTD.



ENGLAND

RAILTECHNIQUE SRL MOLDOVA



MOLDOVA



RAILTECHNIEK VAN HERWIJNEN BV

SPECIALISTS IN OVERHEAD CONVEYORS





## Head office



## Engineering



## Fabrication



## Assembling



## Electrical steering department



## Service



### **RAILTECHNIEK VAN HERWIJNEN B.V.**

Koelenhofstraat 13  
 4004-JR TIEL - THE NETHERLANDS  
 PO Box 6223  
 4000 HE TIEL - THE NETHERLANDS  
 Telephone: +31 (0) 344-61 63 63  
 Facsimilie: +31 (0) 344-61 10 72  
 E-mail: [info@raitechniek.nl](mailto:info@raitechniek.nl)  
 Internet: [www.raitechniek.nl](http://www.raitechniek.nl)

### Who is RAILTECHNIEK?

Railtechniek van Herwijnen BV is an independent global company, specializing since their foundation in 1983 in the production and installation of Overhead Conveyors components and systems. The company designs, manufactures and installs only under international approved standards.

For ancillary equipment such as electric switches, pneumatic, PLC's, bearings etc. we only use international suppliers who can meet with our standards. After the completion and sign off of the system by the customer a fully detailed manual inclusive of maintenance and operation instructions is supplied. After sales service & maintenance contracts are offered (subject to a separate contract). All PLC control systems use a modem connection with our 24-hour helpdesk. This is included as standard.

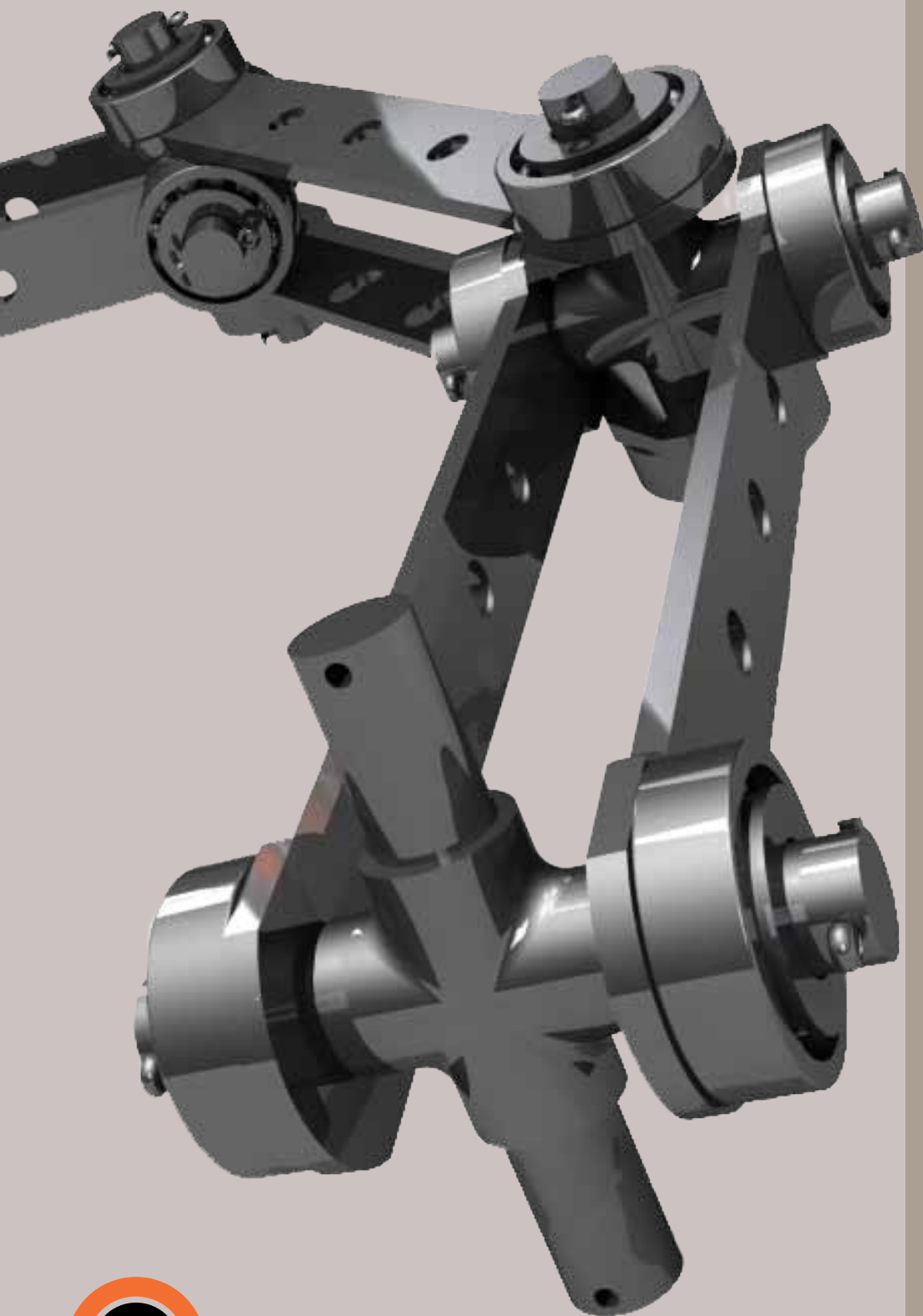
### *Our European subsidiaries:*

RAILTECHNIEK VAN HERWIJNEN B.V.  
 RAILTECHNIQUE FRANCE S.A.R.L  
 TFX-RAILTECHNIK GmbH  
 RAILTECHNIQUE S.R.L MOLDOVA  
 STEWART GILL CONVEYORS LTD.  
 TELEFLEX B.V.  
 DUNNEWOLT B.V.





# TELEFLEX<sup>®</sup> OVERHEAD CONVEYORS



**D 8**

**T 1** 1000kg

**T 4** 2000kg

**T 5** 5000kg



RAILTECHNIEK VAN HERWIJNEN BV

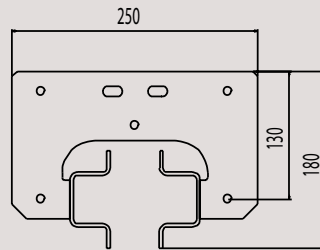
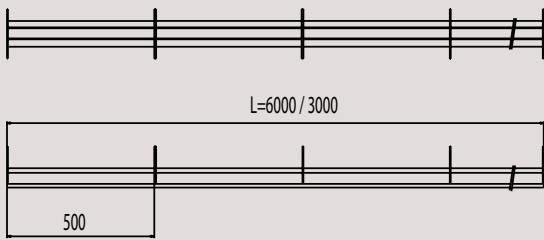
SPECIALISTS IN OVERHEAD CONVEYORS

<i>STRAIGHT TRACK</i>	2
<i>BENDS</i>	3
<i>Horizontal</i>	3
<i>Vertical</i>	4
<i>180° Vertical</i>	5
<i>SWITCHES</i>	6
<i>TENSION SECTION</i>	8
<i>EXPANSION SECTION</i>	9
<i>STOP STATION</i>	10
<i>TURN WHEEL</i>	11
<i>DRIVE UNIT</i>	12
<i>Helicoidal</i>	12
<i>Caterpillar drive</i>	13
<i>TROLLEYS</i>	14
<i>CHAIN</i>	17
<i>PUSH DOG</i>	18



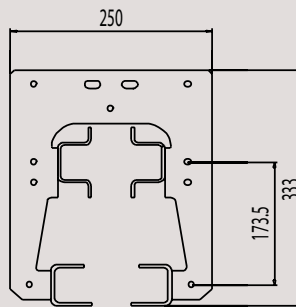
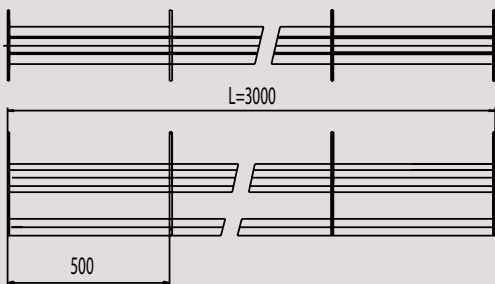
*Power & Free conveyor*

.....



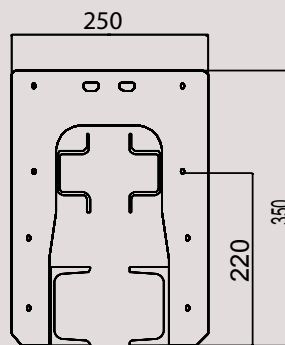
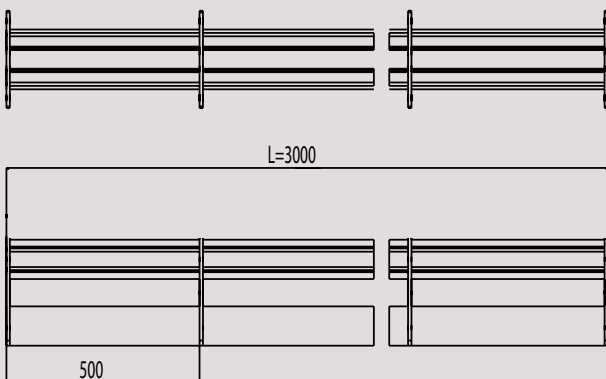
## D8

- TFX 803.00
- 11 Kg/m



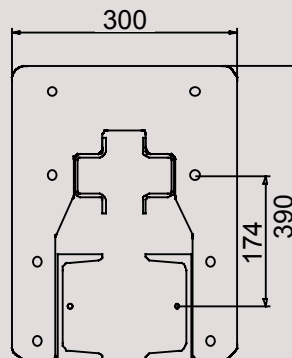
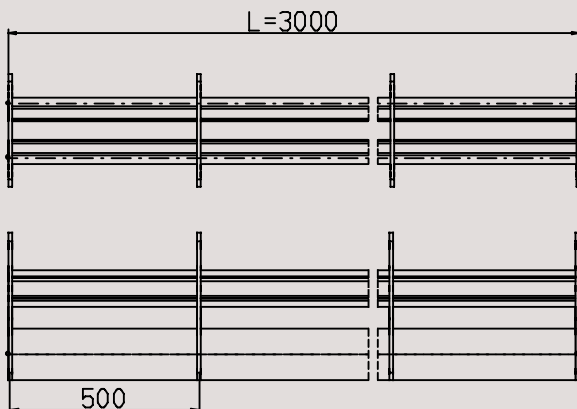
## T1

- TFX 813.000 P&F
- TFX 813.100 F
- 24,5 Kg/m



## T4

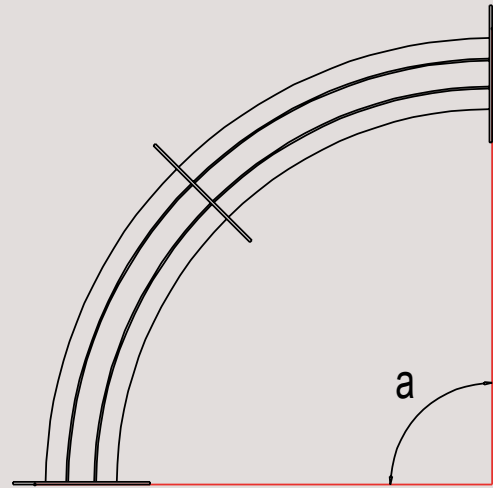
- TFX 813.301 P&F
- 42 Kg/m
- TFX 813.302 F



## T5

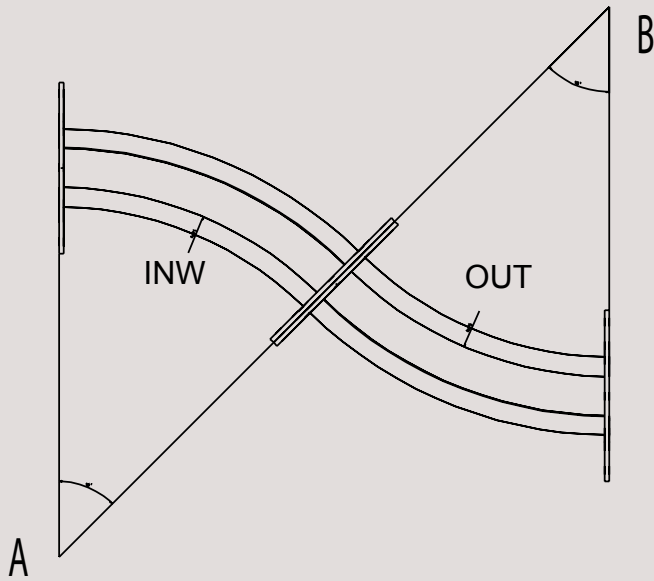
- RT-24546 P&F
- 51 Kg/m
- RT-27285 F

**Horizontal**



	Radius	Type	30°	45°	90°
<b>D8</b>	R=750		803.014	803.013	803.011
	R=1118		803.024	803.023	803.021
<b>T1</b>	R=750	P&F	803.014	803.013	803.011
	R=1118	P&F	803.024	803.023	803.021
	R=750	F	813.454	813.453	813.451
	R=1118	F	813.464	813.463	813.461
<b>T4</b>	R=750	P&F	813.344	813.343	813.341
	R=1118	P&F	813.334	813.333	813.331
	R=1118	F	813.464	813.263	813.261
<b>T5</b>	R=900	P&F	RT-27165-30	RT-27165-45	RT-27165-90
	R=900	F	RT-27272-30	RT-27272-45	RT-27272-90

Non standard bends on request



**Vertical**

Radius	Type	15°	30°	45°
R=750	IN	803.060	803.064	803.063
R=750	OUT	803.065	803.069	803.068
R=1118	IN	803.070	803.074	803.073
R=1118	P&F IN	813.072	813.074	813.073
R=1118	P&F OUT	813.077	813.079	813.078
R=1118	P&F IN	813.430	813.431	
R=1118	P&F OUT	813.425	813.436	

**D8**

**T1**

**T4**

**T5**

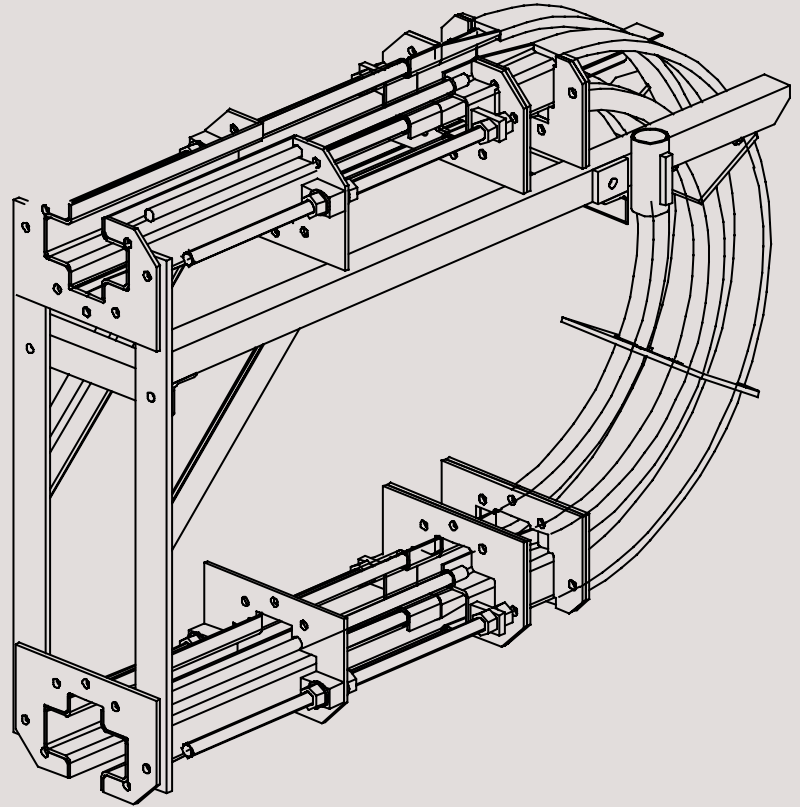
Non standard bends on request

**180° Vertical**

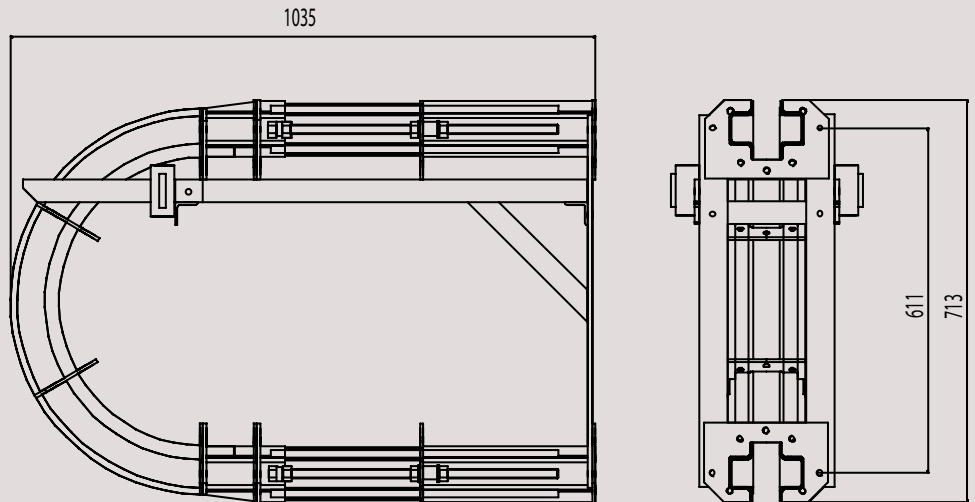
R= 305mm  
m=32 Kg

TFX 803-330  
with tension section

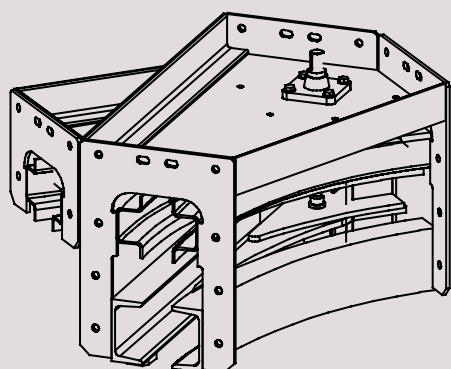
TFX 803-331  
without tension section



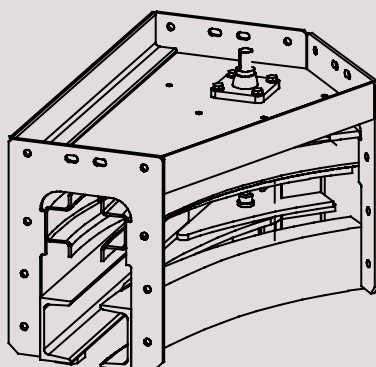
180° Vertical bend



Take over section



Switch R/L



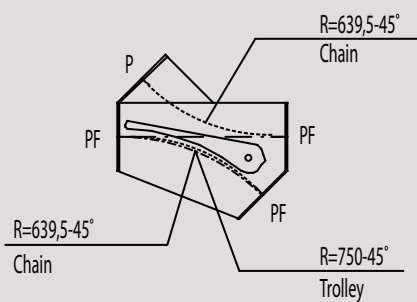
Type

Top view

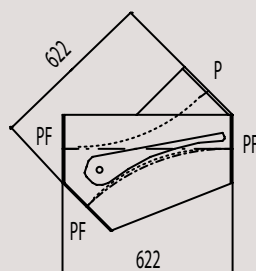
Type

Top view

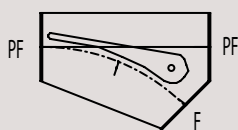
R1



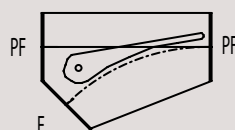
L1



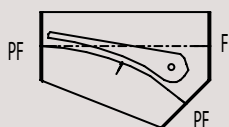
R2



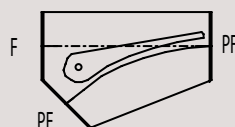
L2



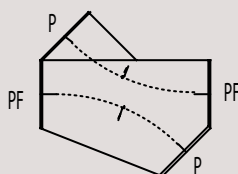
R3



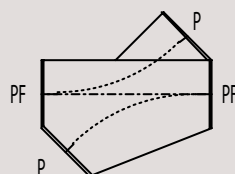
L3



R4



L4



**T1**

- m = 47 Kg
- h = 355 mm

**T4**

- m = 53 Kg
- h = 350 mm

**T5**

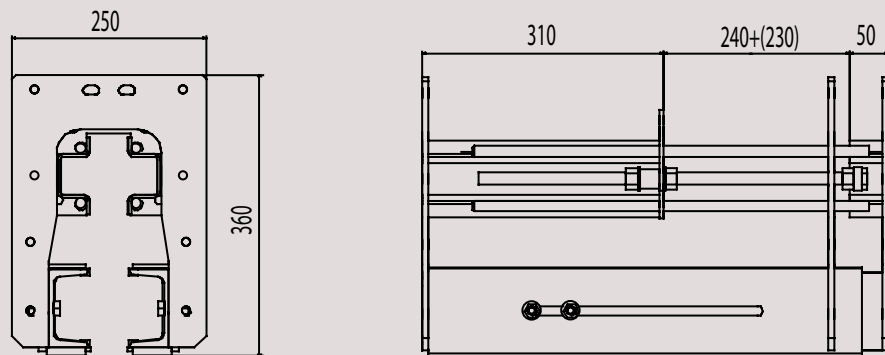
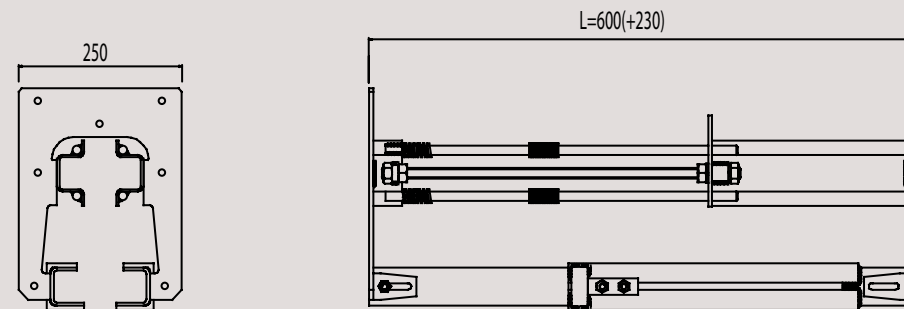
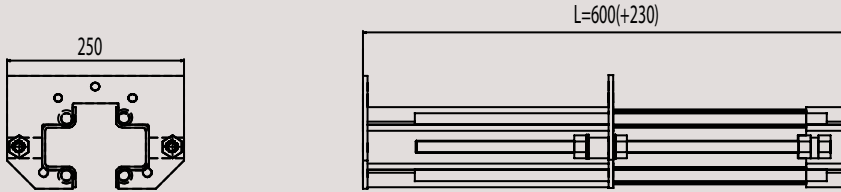
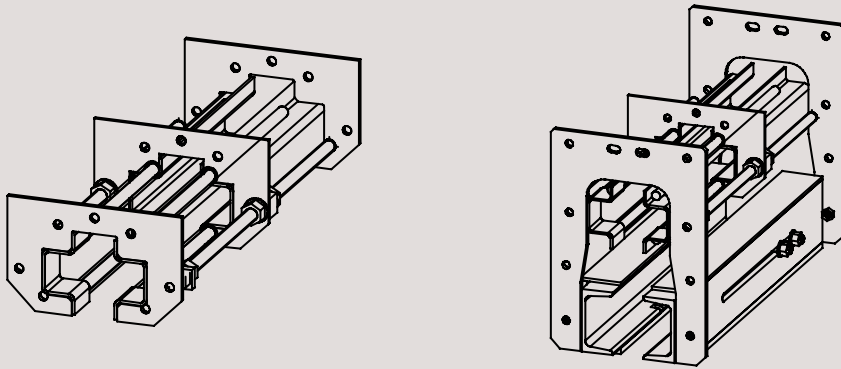
- m = 102 Kg
- h = 450 mm

Type	R/L	Unattended	Pneumatic
T1 45°	R1	815.042	815.040
T1 45°	L1	815.043	815.041
T1 45°	R2	815.006	815.004
T1 45°	L2	815.007	815.005
T1 45°	R3	815.010	815.008
T1 45°	L3	815.011	815.009
T1 45°	R4	815.044	
T1 45°	L4	815.045	
T4 45°	R1	815.382	815.380
T4 45°	L1	815.383	815.381
T4 45°	R2	815.346	815.344
T4 45°	L2	815.347	815.345
T4 45°	R3	815.350	815.348
T4 45°	L3	815.351	815.349
T4 45°	R4	815.348	
T4 45°	L4	815.358	
T5 45°	R1		RT-25206-R
T5 45°	L1		RT-25206-R
T5 45°	R2		
T5 45°	L2		
T5 45°	R3		RT-25206-R
T5 45°	L3		RT-25275-L



*Switch in T4 P&F system*





## D8

TFX 803.205  
L=600 + max.230mm

## T1

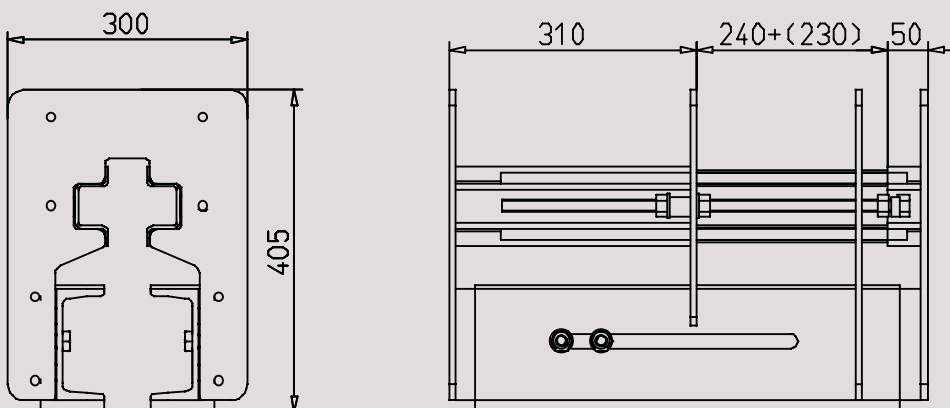
TFX 813.200  
L=600 + max.230mm

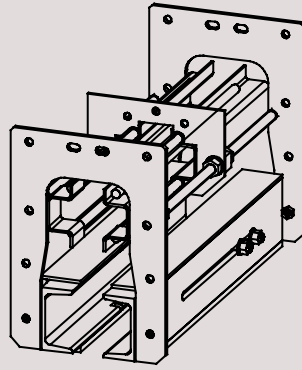
## T4

TFX 813.230  
L=600 + max.230mm

## T5

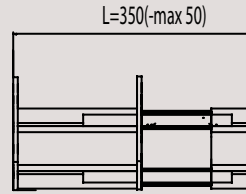
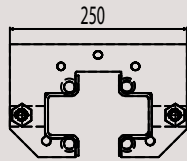
RT-24736  
L=600 + max.230mm





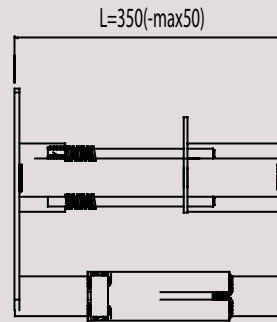
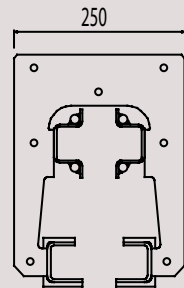
**D8**

TFX 803.210  
L=350 - max.50mm



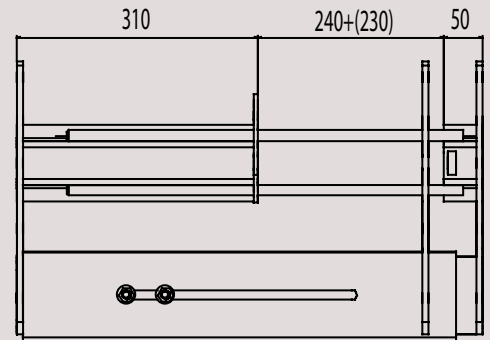
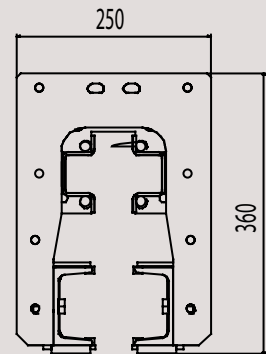
**T1**

TFX 813.210  
L=350 - max.50mm



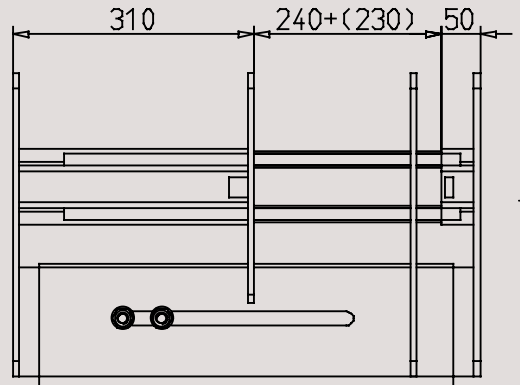
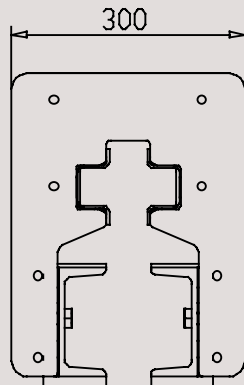
**T4**

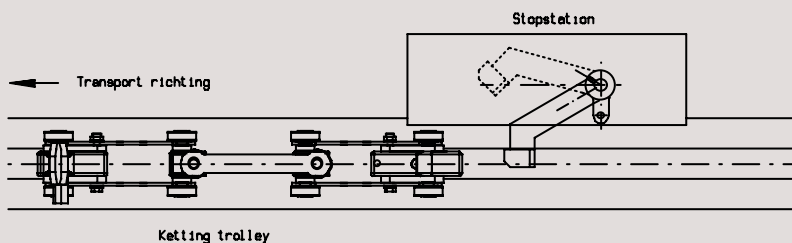
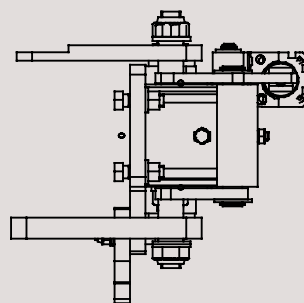
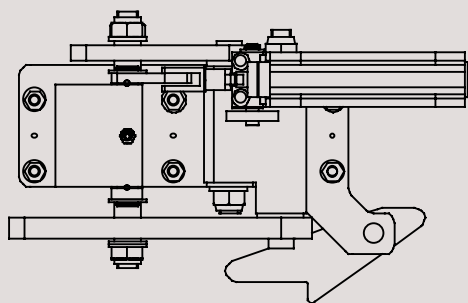
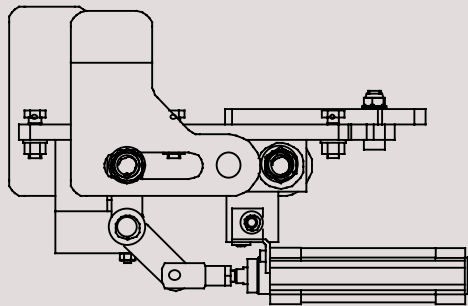
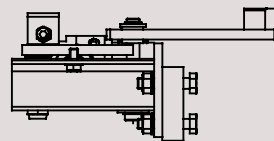
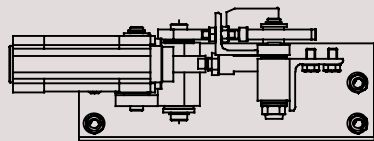
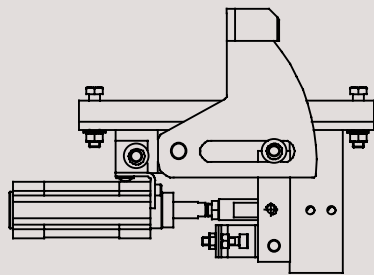
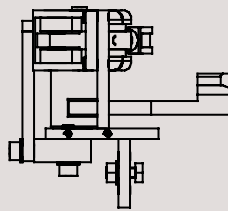
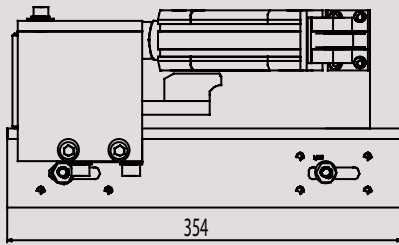
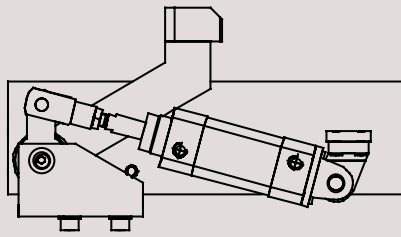
TFX 813.215  
L=600 - max.230mm



**T5**

RT-24736  
L=600 - max.230mm

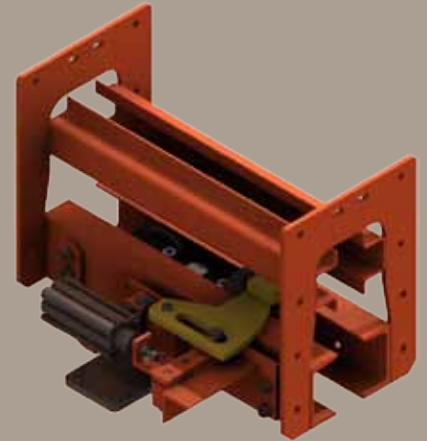




## T1

Right side:  
TFX 816-056  
Left side:  
TFX 816-062

Weight:  
m=15kg



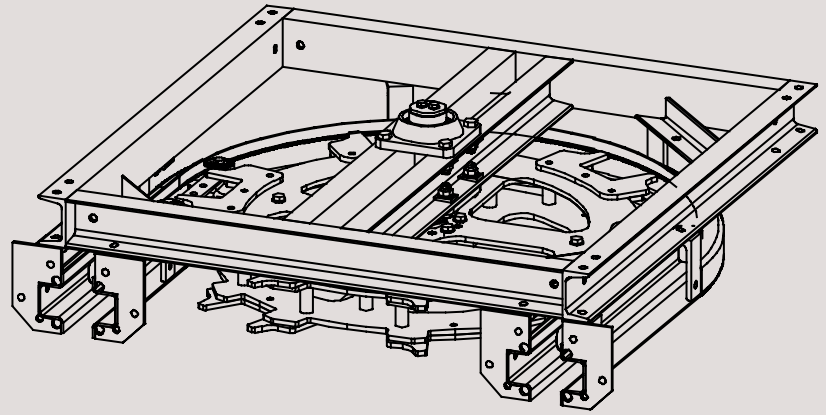
## T4

Right side:  
RT-18606  
Left side:  
RT-18950

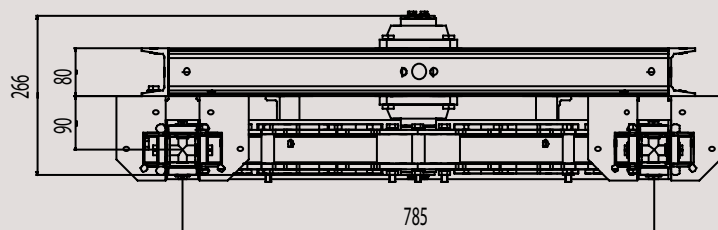
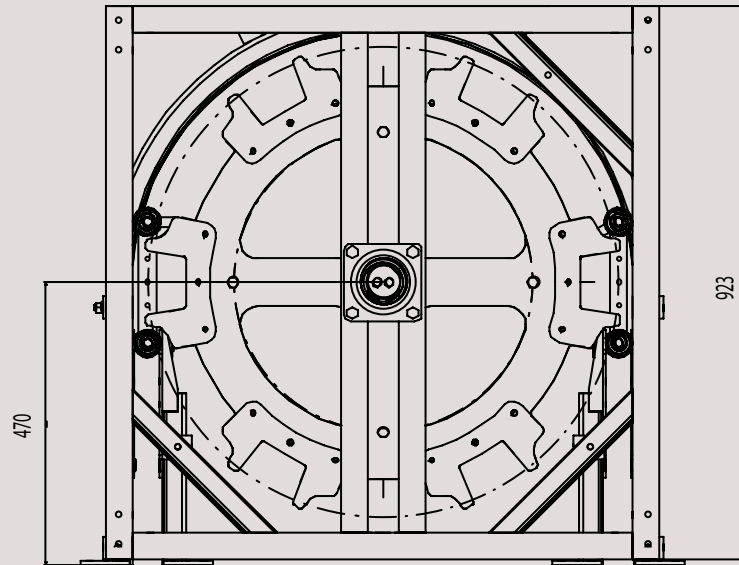
## T5

Right side:  
RT-25446  
Left side:  
RT-24597

Working principe T1/T4



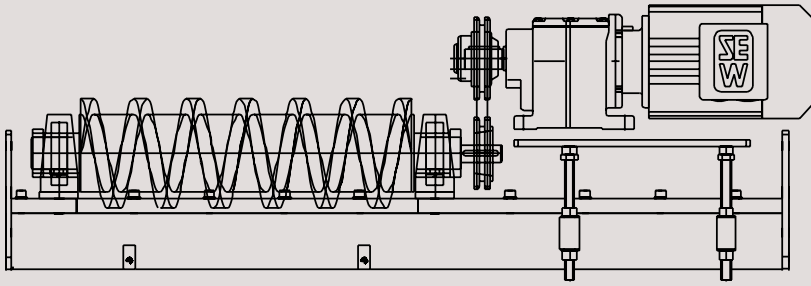
TFX 801-159



**HELICOIDAL DRIVE**

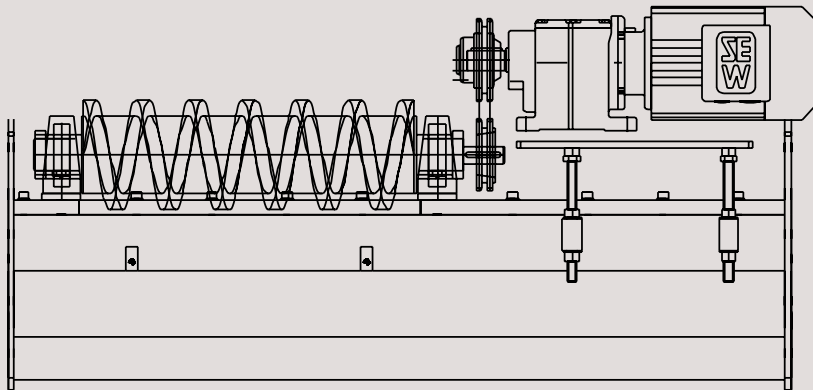
**D8**

TFX 802-035  
 L=1000mm  
 H=294mm + 350 for cover  
 F=4000N  
 Weight: m=113kg



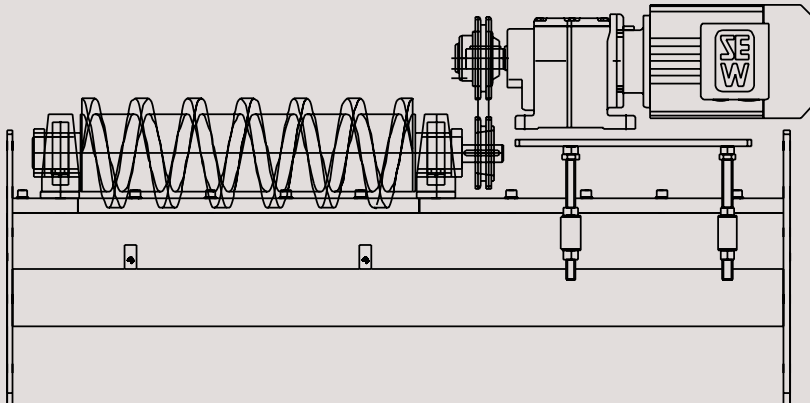
**T1**

TFX 812-035  
 L=1000mm  
 H=550mm + 500 for cover  
 F=4000N



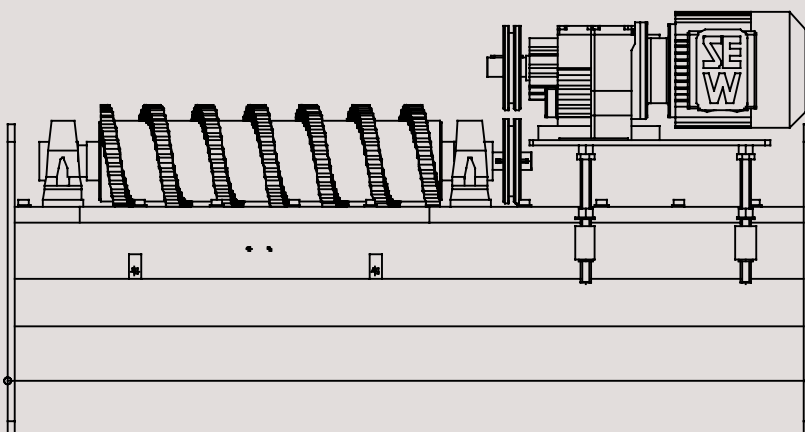
**T4**

TFX 812-045  
 L=1000mm  
 H=550mm + 500 for cover  
 F=4000N



**T5**

RT-26886  
 L=1000mm  
 H=550mm + 500 for cover  
 F=4000N



# CATERPILLAR DRIVE

Dimensions:  
 L=2300mm  
 H=750 incl. cover  
 W=500mm

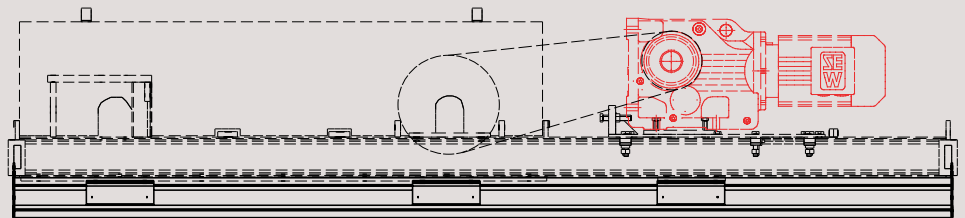
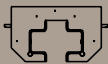
Pulling force:  
 F=9000N

Weight:  
 m= 400Kg



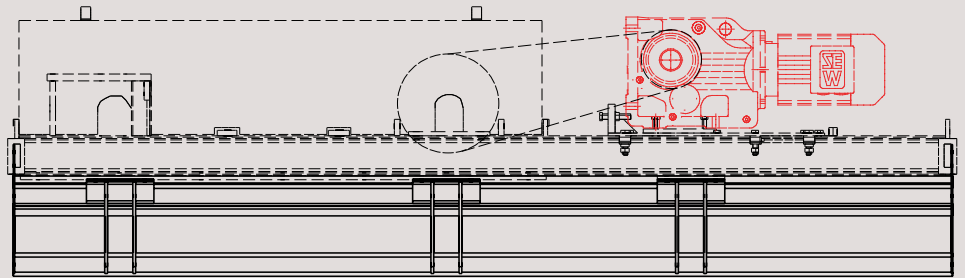
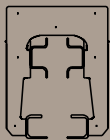
## D8

TFX 802-000



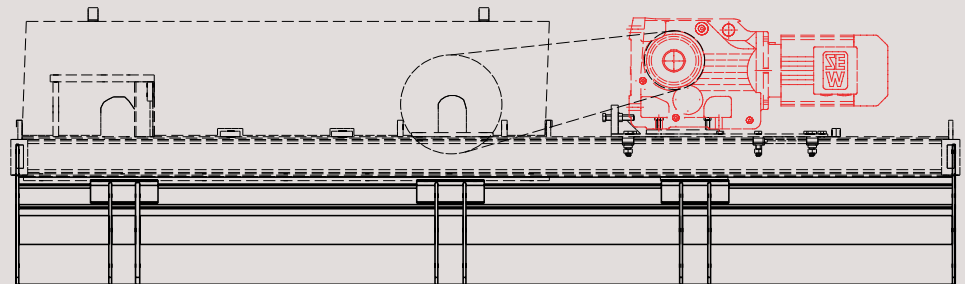
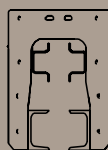
## T1

TFX 812-000



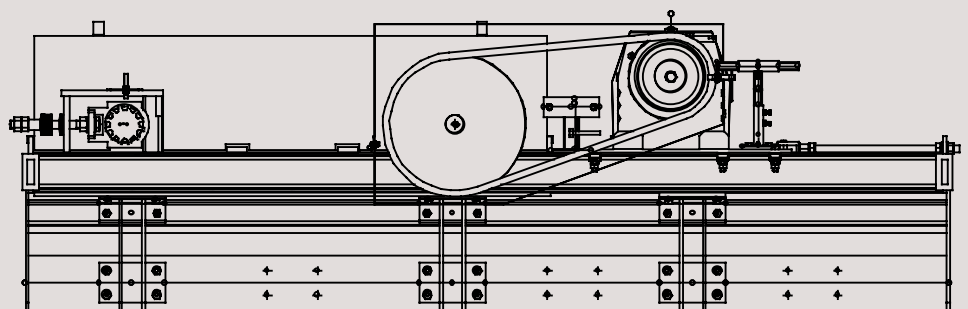
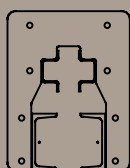
## T4

TFX 812.050

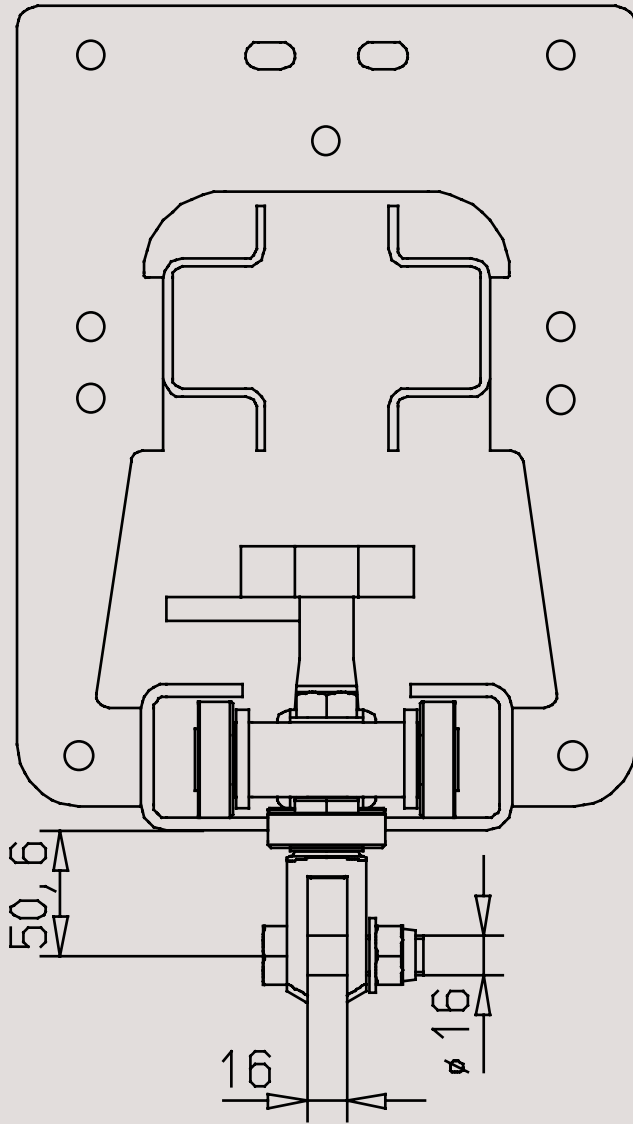


## T5

RT-25510

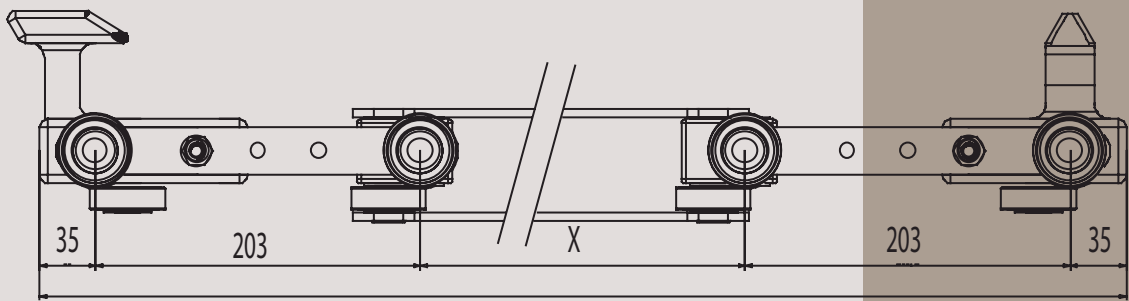
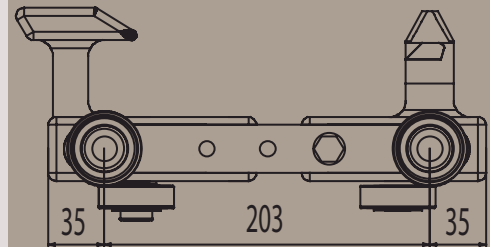
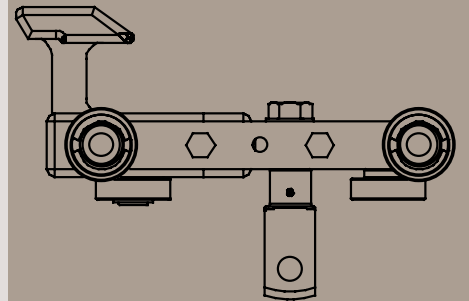
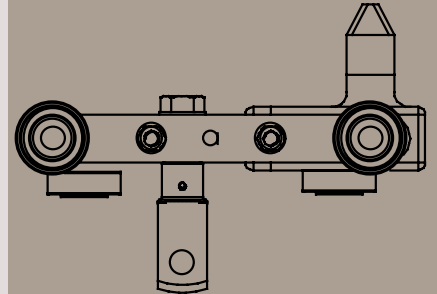


transport direction →



Max. load is including weight of loadbar

T1  
TFX 810-122



F=1500N

F=1500N

F=3000N

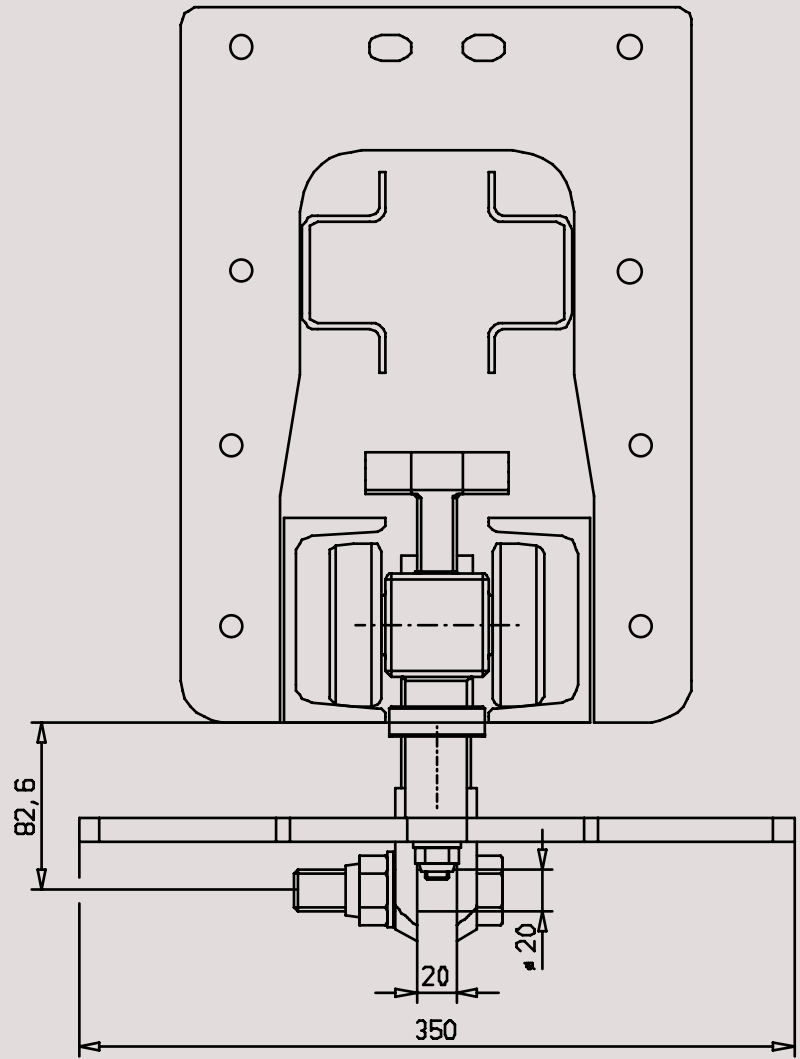
**T4**

Type 1  
TFX 810-140

Type 2  
TFX 810-142

Type 3  
TFX 810-141

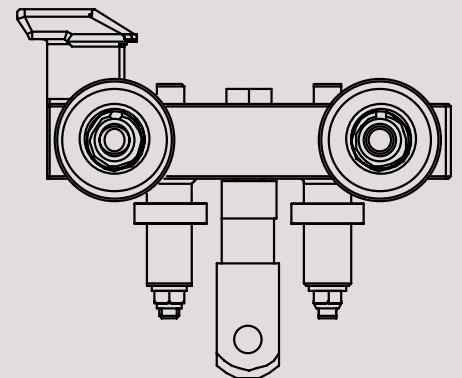
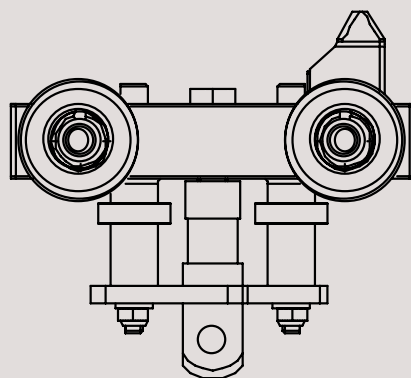
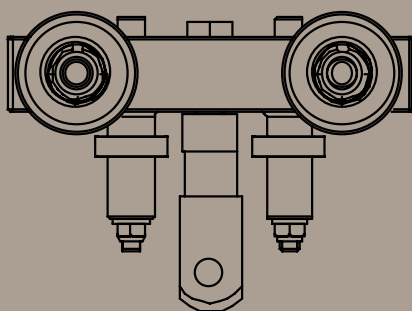
Max. load is including weight of loadbar



type 1

type 2

type 3



F=10000N

F=10000N

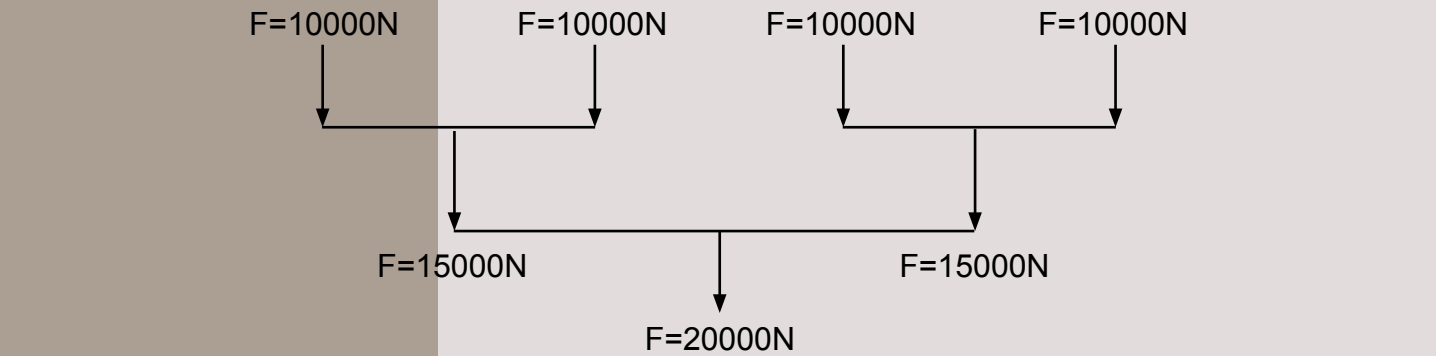
F=10000N

F=10000N

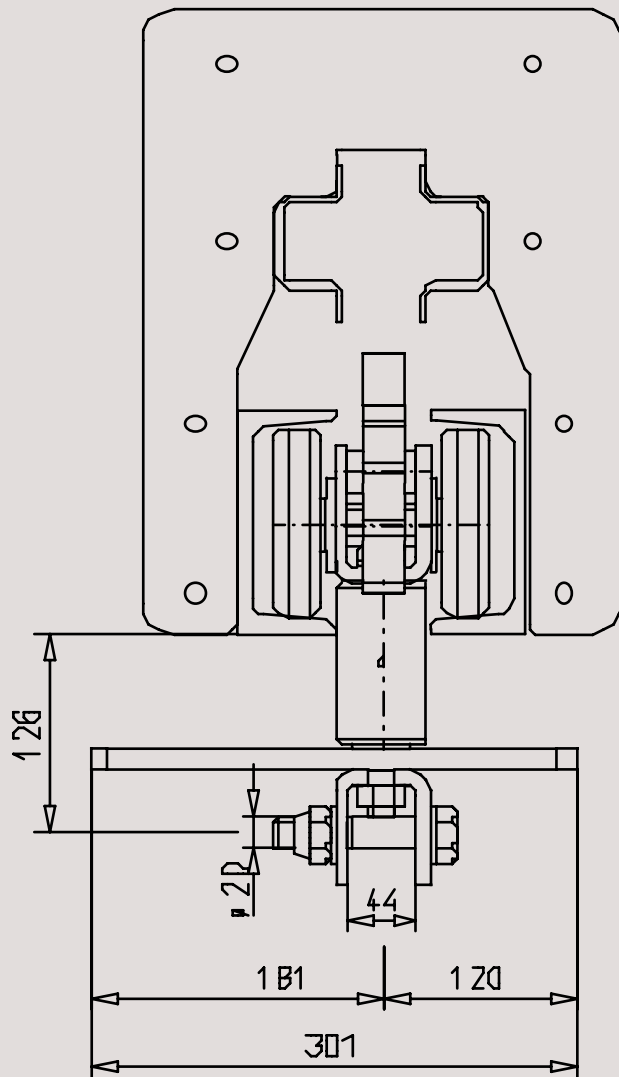
F=15000N

F=20000N

F=15000N







**T5**

Type 1  
RT-25311

Type 2  
RT-25367

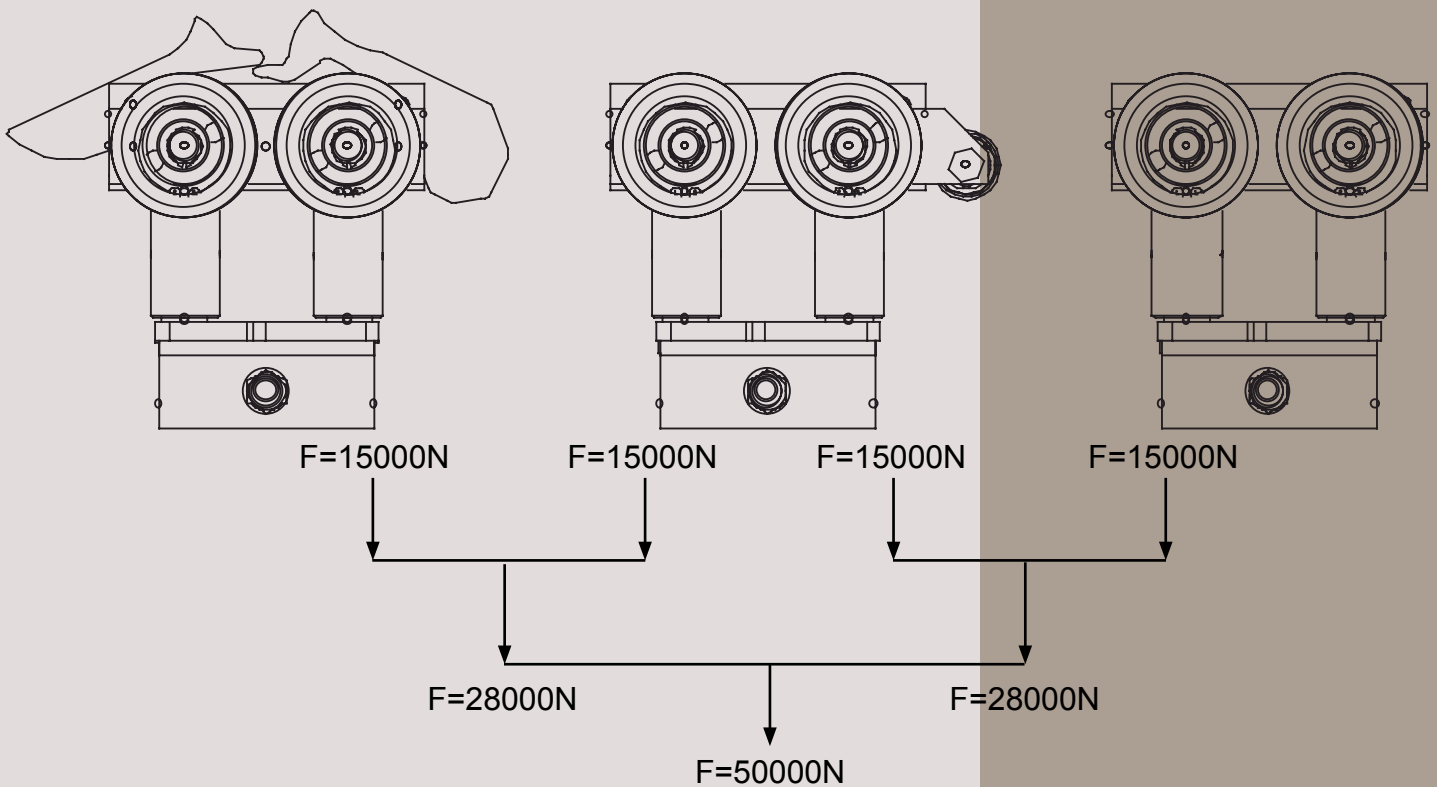
Type 3  
RT-25363

Max. load is including weight of loadbar

type 1

type 2

type 3



**CHAIN TYPE**

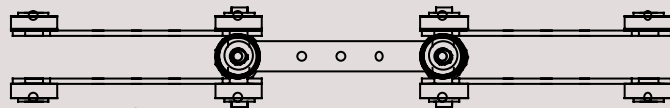
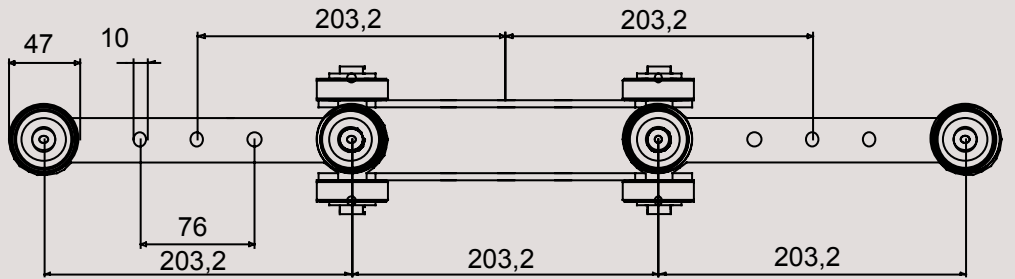
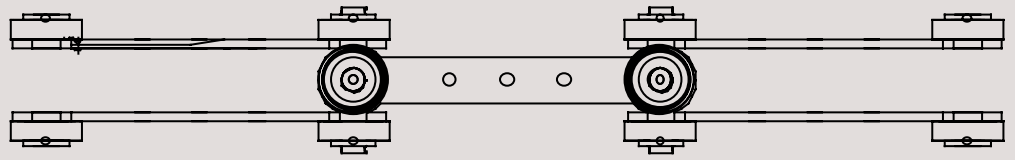
Code            Bearing type

TFX 800-101    6204

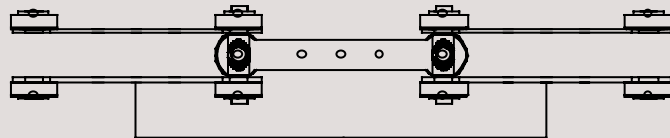
TFX 800-102    6204-2Z

TFX 800-103    6204-2RS

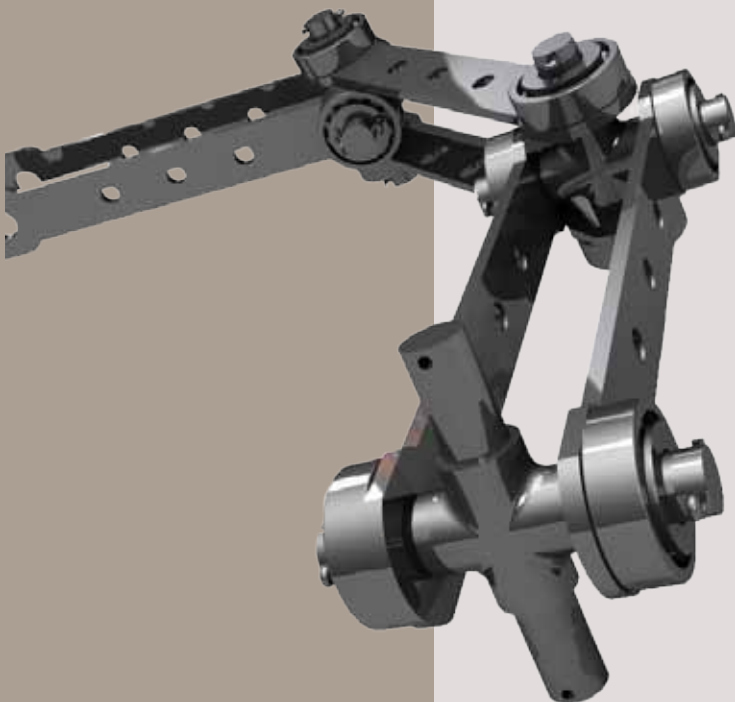
m= 7 Kg/mtr



F=1500N



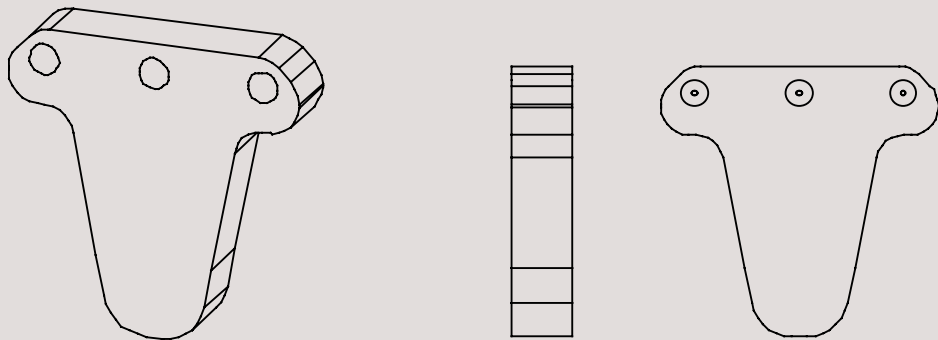
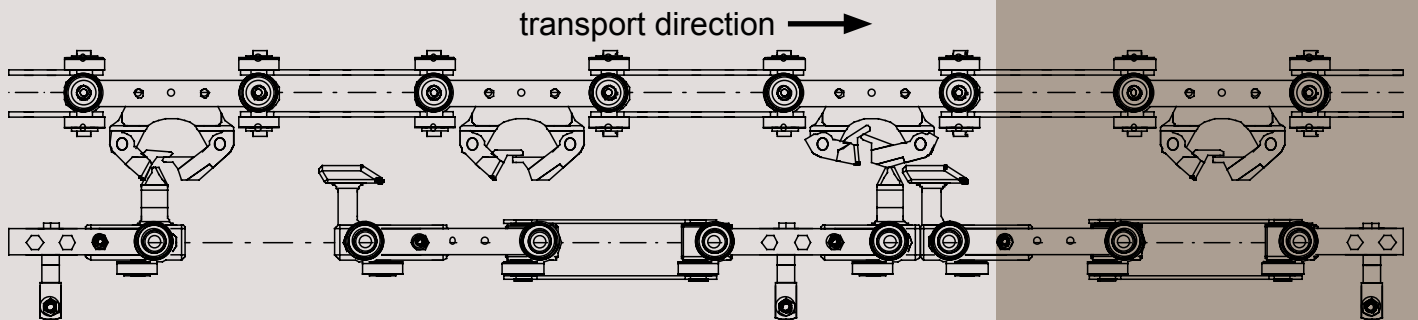
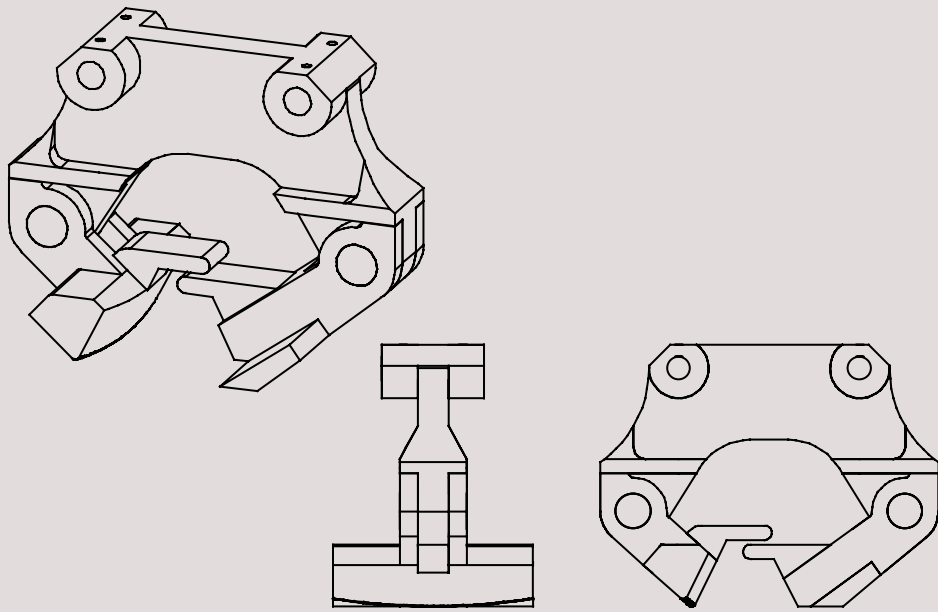
F=3000N





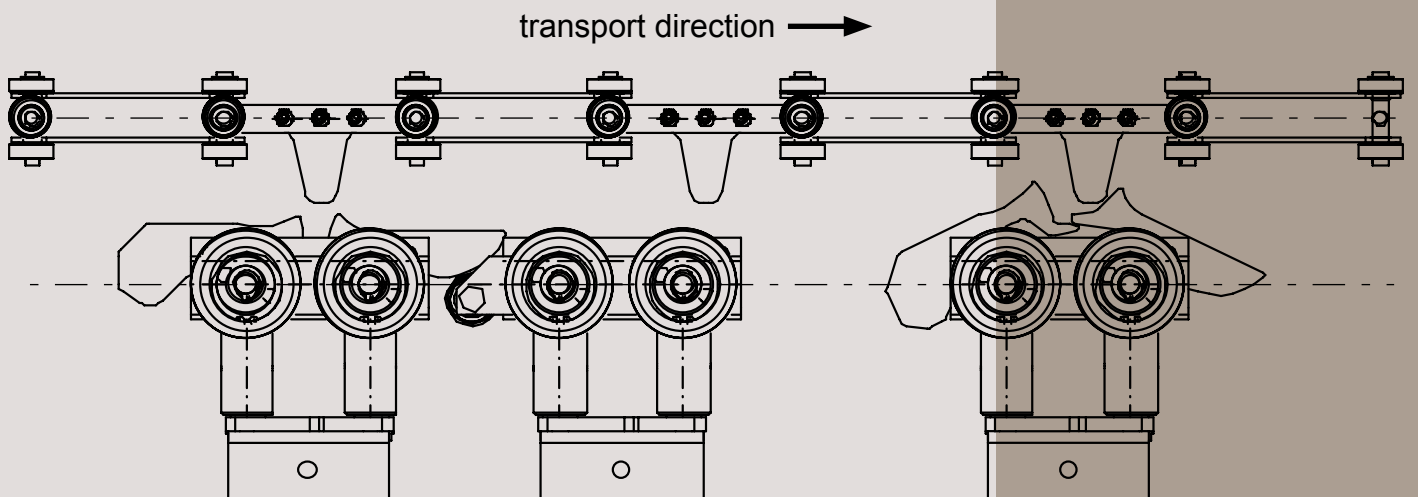
**T1/T4**

TFX 810-020



**T5**

RT-25401





## Head office



## Engineering



## Fabrication



## Electrical control department



## Assembling



## Service



RAILTECHNIEK VAN HERWIJNEN BV  
 Koelenhofstraat 13  
 4004 JR TIEL -THE NETHERLANDS  
 PO Box 6223  
 4000 HE TIEL -THE NETHERLANDS  
 Telephone : +31 (0) 344 - 61 63 63  
 Fax : +31 (0) 344 - 61 10 72  
 E-mail : [info@railtechniek.nl](mailto:info@railtechniek.nl)  
 Internet : [www.railtechniek.nl](http://www.railtechniek.nl)

### Who is RAILTECHNIEK?

Railtechniek van Herwijnen BV is an independent worldwide company, specialising since their foundation in 1983 in the production and installation of Overhead Conveyor components and systems. The designs, manufactures and installs only under international approved standards.

For ancillary equipment such as electric switches, pneumatic, PLC's, bearings, etc. we only use international suppliers who can meet with our standards. After the completion and sign off of the system to the customer a fully detailed manual inclusive of maintenance and operation instructions are provided. After sales, service and maintenance contracts are offered (subject to a separate contract) and when a PLC control system is used a modem connection with 24-hour helpdesk is included as standard.

### Our European subsidiaries:

RAILTECHNIEK VAN HERWIJNEN BV



RAILTECHNIQUE FRANCE SARL



TFX-RAILTECHNIK GmbH



RAILTECHNIQUE SRL MOLDOVA



STEWART GILL CONVEYORS LTD



TELEFLEX BV



DUNNEWOLT BV

