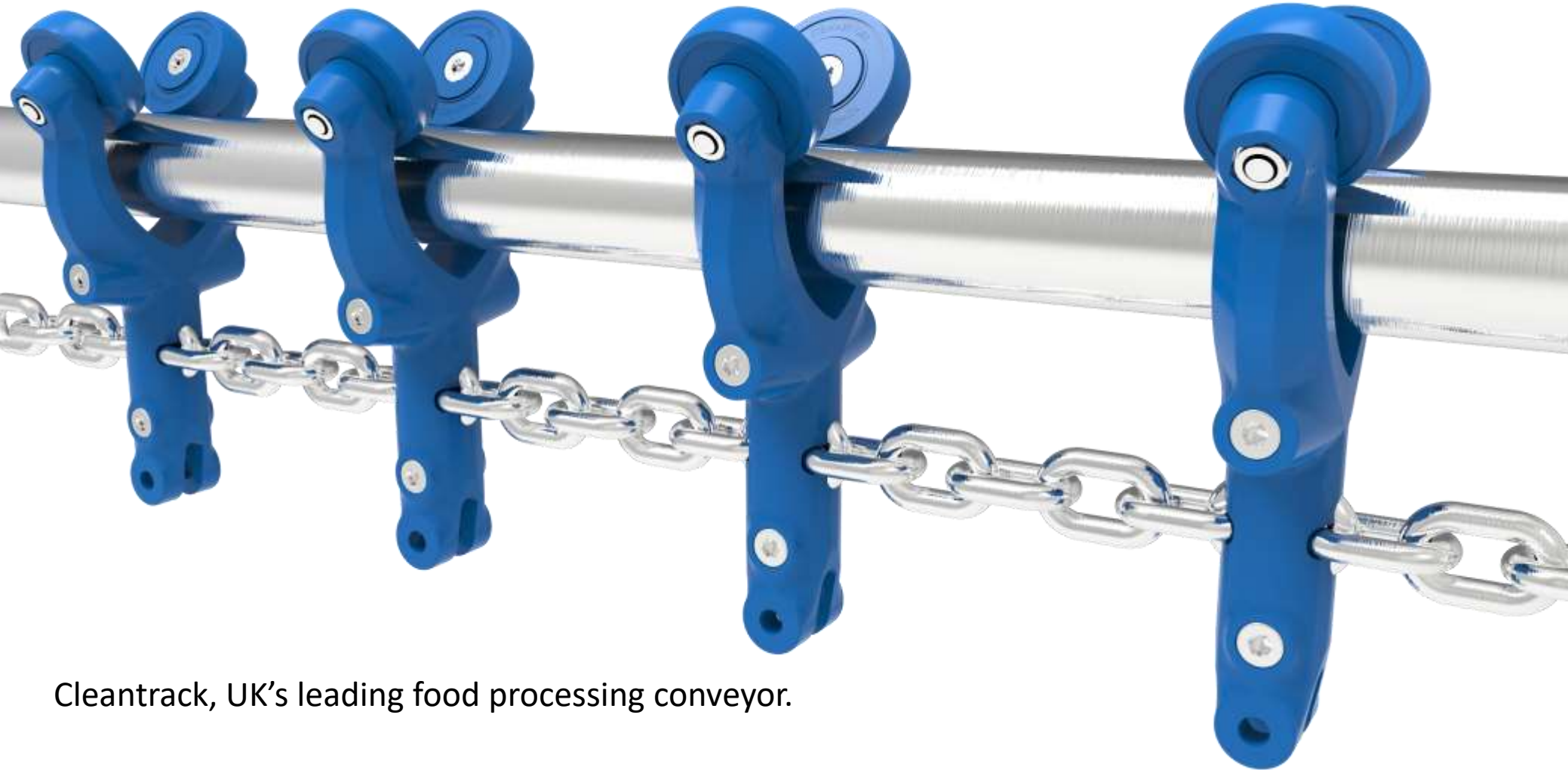




Stewart Gill Conveyors Ltd
Part of the RAUTECHNIK
VAN DERWILLEN GROUP



Cleantrack, UK's leading food processing conveyor.

CLEANTRACK[®]



Stewart Gill Conveyors Ltd
Part of the RAUTECHNIEK
VAN HERWIJNEN GROUP

Cleantrack® is the conveyor system developed specifically to meet the corrosive conditions, necessary punishing production schedules and demand for hygienic conveyors in the food processing and related industries.



CLEANTRACK®



Stewart Gill Conveyors Ltd
Part of the RAUTECHNIEK
VAN HERWINEN GROUP

It's the detail of Cleantrack® which sets the standard. Over fifty years corporate material handling experience lies behind the design of the thermos-plastic trolley and line components.... no metal-to-metal contact, radiussed profiles to prevent dust traps and tubular tracking for easy cleaning and smooth running.



CLEANTRACK®



Stewart Gill Conveyors Ltd
Part of the RAUTECHNIK
VAN HEKWIJLEN GROUP

Designed by Stewart Gill Conveyors, Cleantrack® is based on ultra-hygienic tubular tracking and offers the best that modern technology and materials can provide in terms of cleanliness, long life and low maintenance.



CLEANTRACK®



Stewart Gill Conveyors Ltd
Part of the RAUTECHNIEK
VAN HERWIJNEN GROUP

TROLLEY STRAPS:

- Produced from (POM Polyoxymethylene)
- Good chemical resistance
- Low moisture absorption
- POM temperature resistance between -30°C and + 150°C
- Ultra smooth surface for better cleaning
- Also available in stainless steel
- Standard colours blue and red



CLEANTRACK[®]



Stewart Gill Conveyors Ltd
Part of the RAUTECHNIEK
VAN HERWINEN GROUP



TROLLEY ROLLERS:

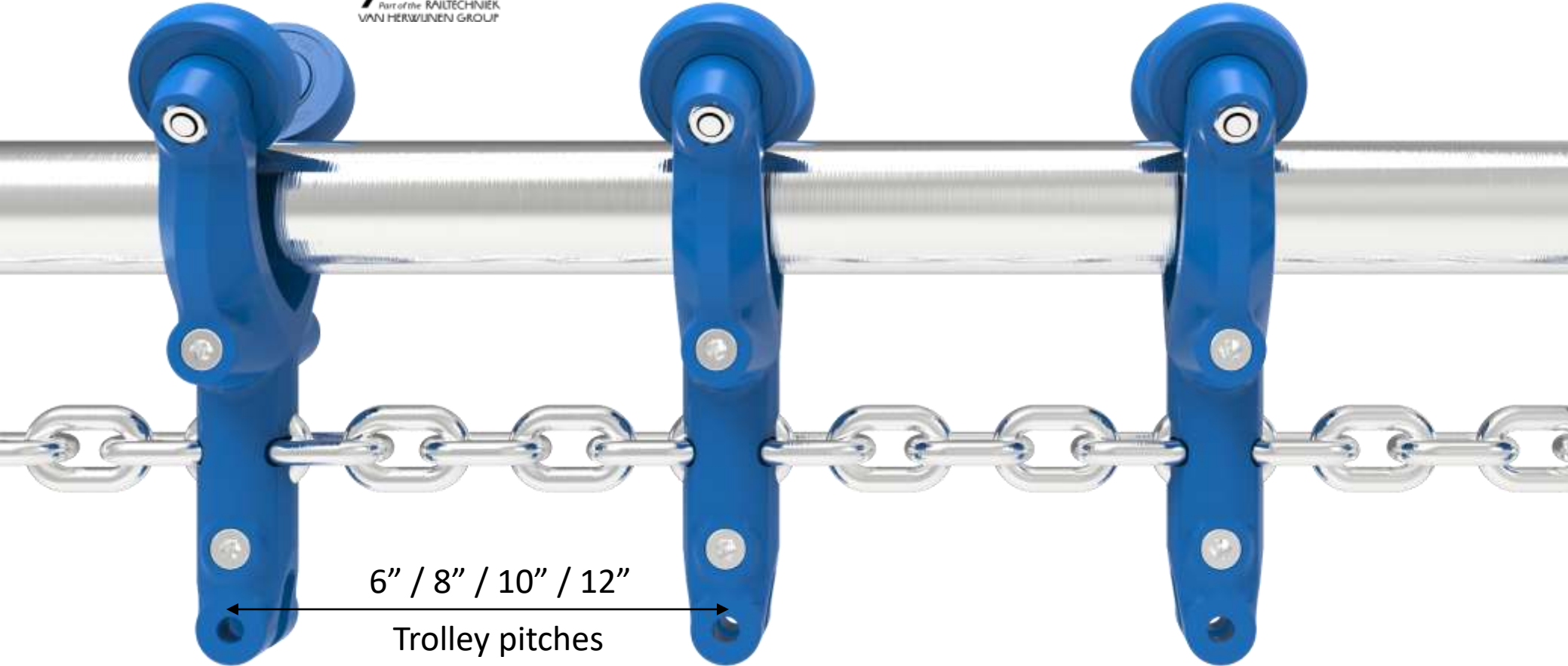
- Double bearing
- Stainless steel balls
- 48mm Diameter

When cleaning is necessary the Cleantrack system can be simply hosed down and sterilised.

CLEANTRACK[®]



Stewart Gill Conveyors Ltd
Part of the RAUTECHNIK
VAN DERWILLEN GROUP



CHAIN:

- 8x24.4mm
- High-quality galvanized RUD
- Available as stainless steel

TRACK:

- 1 ¼" (32mm) nominal diameter
- Stainless steel

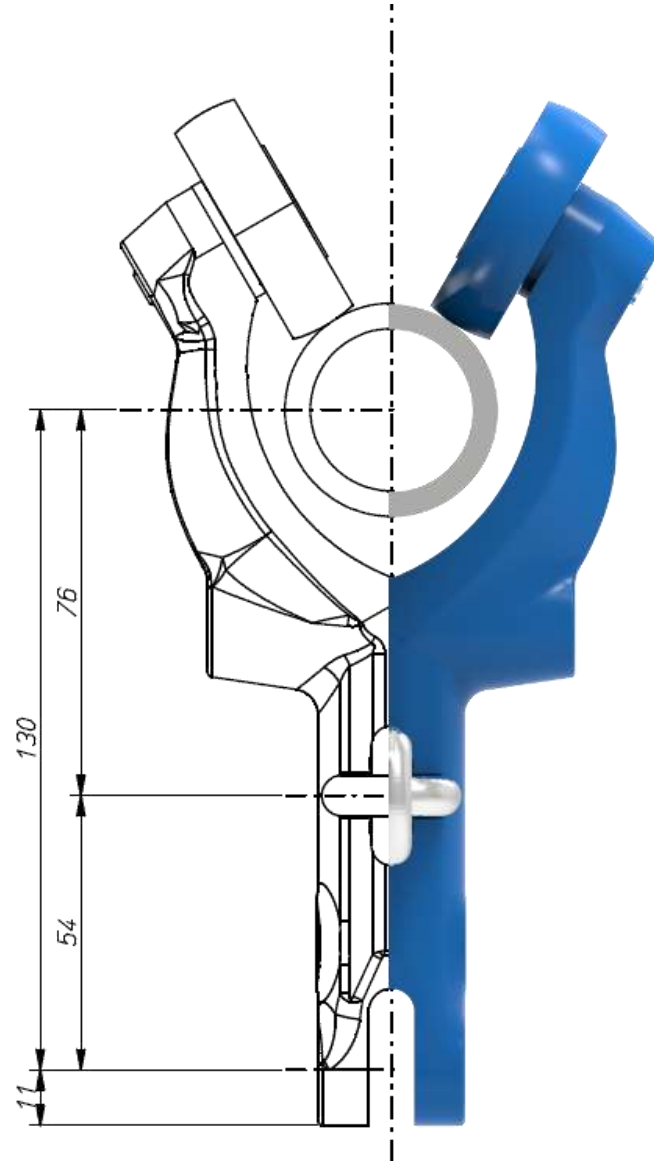
CLEANTRACK[®]



Stewart Gill Conveyors Ltd
Part of the RAUTECHNIK
VAN HERWIJNEN GROUP

The next generation Cleantrack® trolley is 100% compatible with all original Cleantrack® systems and imitations.

The long life components keep maintenance to a minimum.



CLEANTRACK®

Buy original Cleantrack® parts

Plastic trolley straps

Wear pads

Rollers

Drive teeth

Drive wheels

Shear pins

Track tube

Link pins

Idler wheels

Shear boss

Bends

Stainless trolley straps

Track couplings

CLEANTRACK®



SGC

Stewart Gill Conveyors Ltd
Part of the RAILTECHNIEK
VAN HERWILLEN GROUP

CLEANTRACK[®]



SGC

Stewart Gill Conveyors Ltd

Part of the RAUTECHNIJK
VAN HERWUNEN GROUP

CLEANTRACK[®]



SGC

Stewart Gill Conveyors Ltd
CONVEYOR TECHNOLOGY
FOR THE FUTURE

CLEANTRACK[®]

“Long track, short track....fast speed, slow speed....simple layout, complex scheme....
Cleantrack® is the answer!”



Stewart Gill Conveyors Ltd
Part of the RAILTECHNIEK
VAN HERWIJNEN GROUP

CLEANTRACK®



Stewart Gill Conveyors Ltd
Part of the RAILTECHNIEK
VAN HERWIJNEN GROUP

STEWART GILL CONVEYORS LTD
Unit 4 Brook Business Park
Brookhampton Lane
Kineton
Warwickshire, CV35 0JA

Tel: +44 (0)1926 641424
info@stewart-gill.co.uk
www.stewart-gill.co.uk